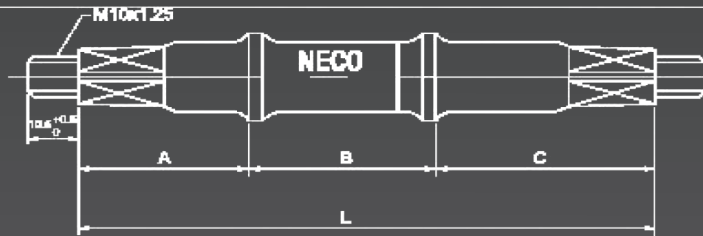


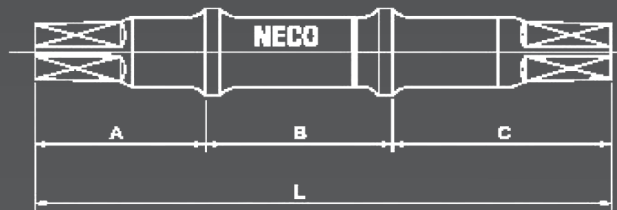
**B906  
B906E  
B906B**



1. NUT TYPE COTTERLESS AXLE 外牙軸心



2. BOLT TYPE COTTERLESS AXLE 內牙軸心



內外牙尺寸圖

AXLE MODEL	3H	3E	3M	3J	3L	3A	3P	3PL	3N	3NL	3SS	3S	3T	3U	3UM	3R	3RM	3RMC	3MC
BRACKET WIDTH	68	68	68	68	68	68	68	68	68	68	68	68	68	68	68	68	68	68	68
A	28	28	29	30.5	32	32	32	35	32	35	32	35	35	35	37.5	35	37.5	40.5	32
B	52	52	52	52	52	52	52	52	52	52	52	52	52	52	52	52	52	52	52
C	30.5	30.5	29	30.5	32	33.5	35	35	36	36	37.5	37.5	39	40.5	40.5	42	42	42	43.5
L	108.0	110.5	110	113	116	117.5	119	122	120	123.0	121.5	124.5	126	127.5	130	129	131.5	134.5	127.5

AXLE MODEL	5A	5P	5SS	5S	5T	5U	5R	7J	7L	7A	7P	7PL	7N	7NN	7SS	7S	7T	7U	7R
BRACKET WIDTH	70	70	70	70	70	70	70	73	73	73	73	73	73	73	73	73	73	73	73
A	32	32	32	35	35	35	35	30.5	32	32	32	35	32	36	32	35	35	35	35
B	54	54	54	54	54	54	54	57	57	57	57	57	57	57	57	57	57	57	57
C	33.5	35	37.5	37.5	39	40.5	42	30.5	32	33.5	35	35	36	36	37.5	37.5	39	40.5	42
L	119.5	121.0	123.5	126.5	128	129.5	131	118	121	122.5	124	127	125	129	126.5	129.5	131	132.5	134

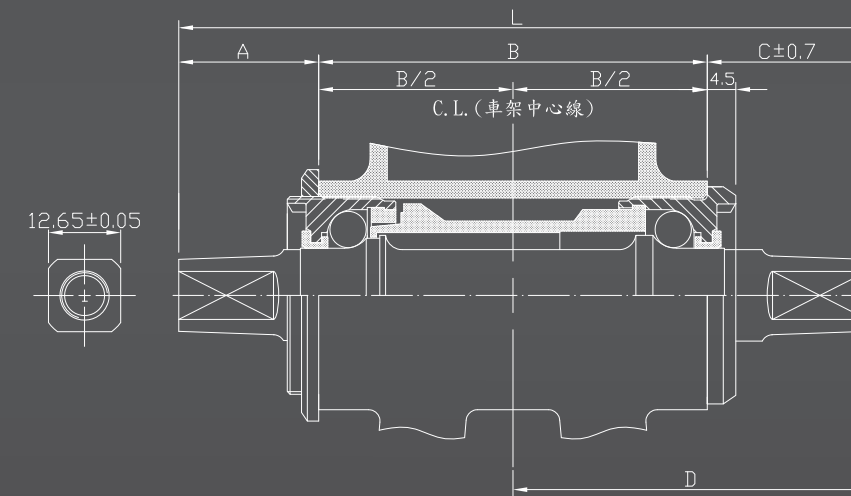
COMPONENTS 內容物 10B21 Spindle, Dust Seal & Pre-Lubed Cartridge  
Steel Cups, Plastic Body  
鐵軸心, 防塵蓋, 卡式鐵牙碗, 塑膠中管

LOCKING RING COLOR 顏色 Black 黑

CUP COLOR 碗顏色 Black 黑

APPLICATIONS 適合車種 MTB 登山車, Road 公路車

- Threads: BC 1.37"x24T R/L(B906/B906E)  
BC 36mmx24T R/R(B906B)
- Steel BB cups(B906/B906B)  
E-type steel BB cup (B906E)



AXLE MODEL 中軸代號	AXLE LENGTH 中軸長度	B.B. SHELL WIDTH=68mm 五通管寬度 68mm				B.B. SHELL WIDTH=70mm 五通管寬度 70mm			
		A	B	C	D	A	B	C	D
2H	108.0(29.0/50/29.0)	20.5	68	19.5	53.5	18.5	70	19.5	54.5
2M	111.0(30.5/50/30.5)	22.0	68	21.0	55.0	20.0	70	21.0	56.0
2J	113.5(31.5/50/32.0)	23.0	68	22.5	56.5	21.0	70	22.5	57.5
2L	116.0(33.0/50/33.0)	24.5	68	23.5	57.5	22.5	70	23.5	58.5
2A	118.0(33.0/50/35.0)	24.5	68	25.5	59.5	22.5	70	25.5	60.5
2P	119.0(33.0/50/36.0)	24.5	68	26.5	60.5	22.5	70	26.5	61.5
2N	120.5(33.0/50/37.5)	24.5	68	28.0	62.0	22.5	70	28.0	63.0
2SS	122.0(33.0/50/39.0)	24.5	68	29.5	63.5	22.5	70	29.5	64.5
2NL	122.5(35.0/50/37.5)	26.5	68	28.0	62.0	24.5	70	28.0	63.0
2S	125.0(36.0/50/39.0)	27.5	68	29.5	63.5	25.5	70	29.5	64.5
2T	126.5(36.0/50/40.5)	27.5	68	31.0	65.0	25.5	70	31.0	66.0
2U	128.0(36.0/50/42.0)	27.5	68	32.5	66.5	25.5	70	32.5	67.5
2R	129.5(36.0/50/43.5)	27.5	68	34.0	68.0	25.5	70	34.0	69.0
2UM	131.0(39.0/50/42.0)	30.5	68	32.5	66.5	28.5	70	32.5	67.5
2RMC	135.5(42.0/50/43.5)	33.5	68	34.0	68.0	31.5	70	34.0	69.0

五通碗組  
B.B. CARTRIDGE  
COTTERLESS TYPE

五通碗組  
B.B. CARTRIDGE  
COTTERLESS TYPE

**B910  
B910E  
B910P  
B910B  
B910PP**



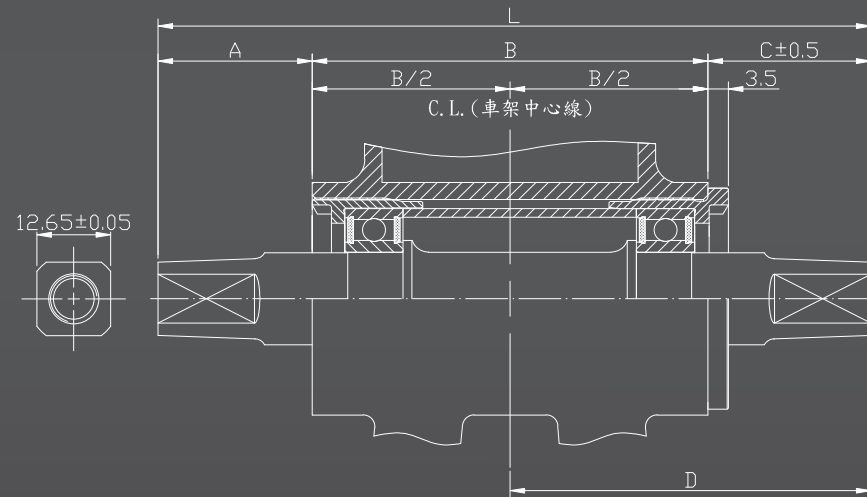
COMPONENTS 內容物 10B21 Spindle & Steel cups, Steel Body, Sealed Bearings 2pcs  
鐵軸心, 鐵牙碗, 鐵中管, 培林x2

LOCKING RING COLOR 顏色 Black 黑

CUP COLOR 碗顏色 Black 黑

APPLICATIONS 適合車種 MTB 登山車, Road 公路車

- Threads: BC 1.37"x24T R/L(B910/B910E/B910P)  
BC 36mmx24T R/R(B910B)
- Steel cups(B910/B910B)  
Steel right cup & nylon left cup(B910P)  
E-type steel cup(B910E)



AXLE MODEL 中軸代號	B.B. SHELL WIDTH=68mm 五通管寬度 68mm				B.B. SHELL WIDTH=70mm 五通管寬度 70mm				B.B. SHELL WIDTH=73mm 五通管寬度 73mm			
	A	B	C	D	A	B	C	D	A	B	C	D
103.0	(16.5)	68	18.5	52.5								
107.5	(19.0)	68	20.5	54.5								
110.5	(22.0)	68	20.5	54.5	(21.0)	70	19.5	54.5				
113.5	(22.5)	68	23.0	57.0	(21.5)	70	22.0	57.0	(20.0)	73	20.5	57.0
115.0	(23.0)	68	24.0	58.0	(22.0)	70	23.0	58.0	(20.5)	73	21.5	58.0
116.0	(23.0)	68	25.0	59.0	(22.0)	70	24.0	59.0	(20.5)	73	22.5	59.0
118.0	(25.0)	68	25.0	59.0	(24.0)	70	24.0	59.0	(22.5)	73	22.5	59.0
119.0	(24.0)	68	27.0	61.0	(23.0)	70	26.0	61.0	(21.5)	73	24.5	61.0
122.5	(26.0)	68	28.5	62.5	(25.0)	70	27.5	62.5	(23.5)	73	26.0	62.5
124.5	(27.0)	68	29.5	63.5	(26.0)	70	28.5	63.5	(24.5)	73	27.0	63.5
126.0	(27.0)	68	31.0	65.0	(26.0)	70	30.0	65.0	(24.5)	73	28.5	65.0
127.5	(28.5)	68	31.0	65.0	(27.5)	70	30.0	65.0	(26.0)	73	28.5	65.0
131.0	(29.0)	68	34.0	68.0	(28.0)	70	33.0	68.0	(26.5)	73	31.5	68.0
134.0	(30.0)	68	36.0	70.0	(29.0)	70	35.0	70.0	(27.5)	73	33.5	70.0

**B911  
(B911E)**



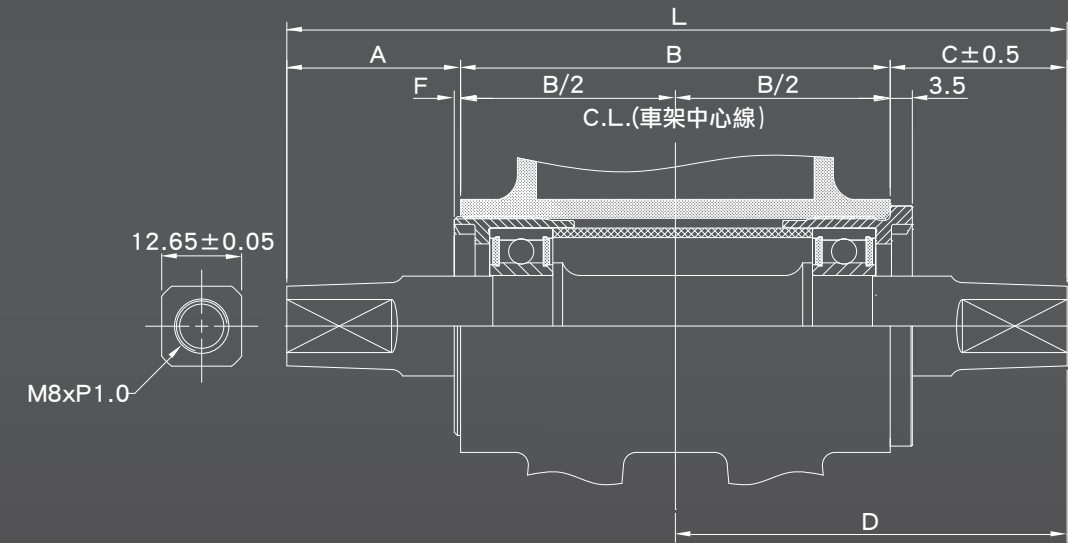
COMPONENTS 內容物 10B21 Spindle & Steel cups, Steel Body, Sealed Bearings 2pcs  
鐵軸心, 鐵牙碗, 鐵中管, 培林x2

LOCKING RING COLOR 顏色 BLACK 黑

CUP COLOR 碗顏色 BLACK 黑

APPLICATIONS 適合車種 Fat Bike 雪地車

- Threads: BC 1.37"x24T R/L



AXLE MODEL 中軸代號	B.B. SHELL WIDTH=100mm 五通管寬度 100mm					B.B. SHELL WIDTH=120mm 五通管寬度 120mm					B.B. SHELL WIDTH=130mm 五通管寬度 130mm					
	L	A	B	C	D	F	A	B	C	D	F	A	B	C	D	F
151.0	27.8	100	23.2	73.2	3.0											
159.5	30.8	100	28.7	78.7	3.0											
167.0						28.5	120	18.5	78.5	2.6						
167.0						25.0	120	22.0	82.0	1.9						
167.0						22.0	120	25.0	85.0	1.3						
179.5						30.8	120	28.7	88.7	3.0						
177.0											22.0	130	25.0	90.0	2.0	

五通碗組  
B.B. CARTRIDGE  
COTTERLESS TYPE

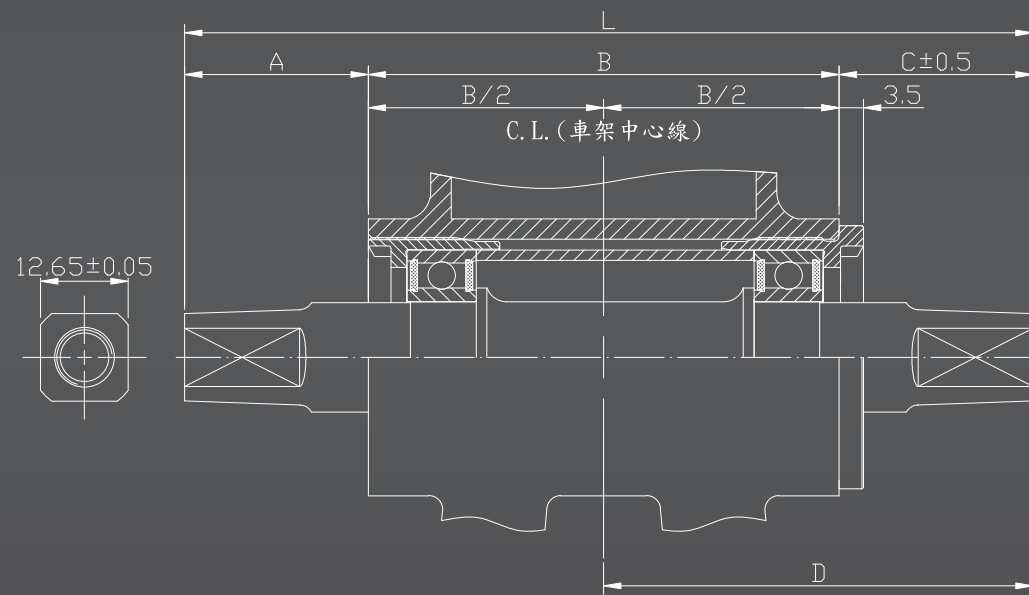
五通碗組  
B.B. CARTRIDGE  
COTTERLESS TYPE

## B920AL (B920BAL)



COMPONENTS 內容物 10B21 Axle & Alloy cups, Steel Body, Sealed Bearings 2pcs  
鐵軸心, 鋁牙碗, 鐵中管, 培林x2  
APPLICATIONS 適合車種 MTB 登山車, Road 公路車

• Threads: BC 1.37"x24T R/L(B920AL)  
BC36mmx24T R/R(B920BAL)



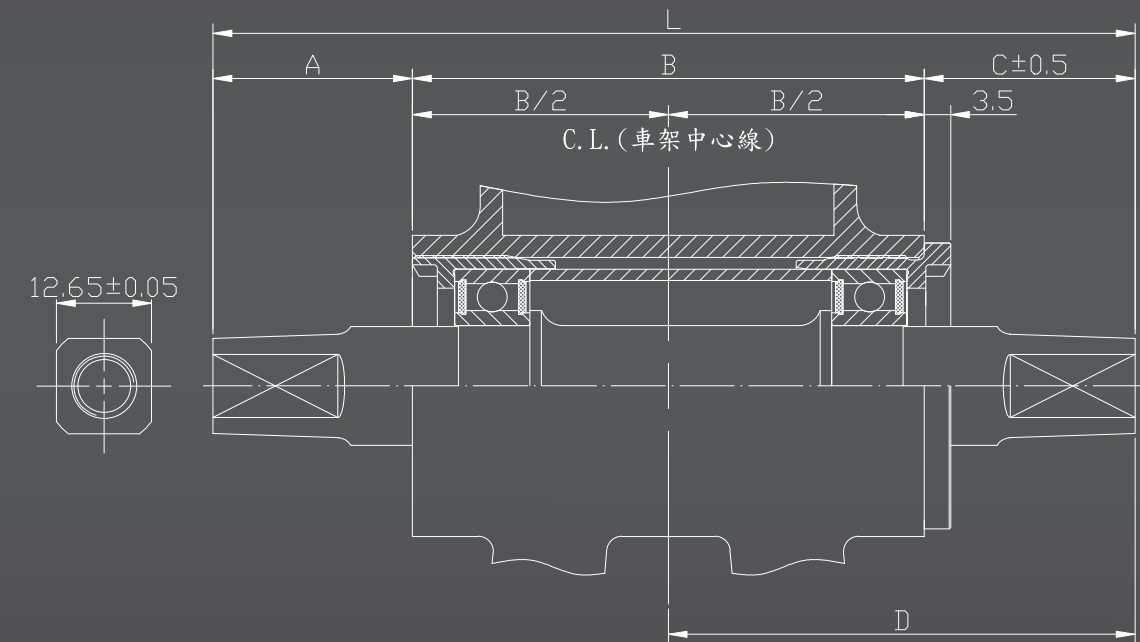
AXLE MODEL 中軸代號	B.B. SHELL WIDTH=68mm 五通管寬度 68mm				B.B. SHELL WIDTH=70mm 五通管寬度 70mm				B.B. SHELL WIDTH=73mm 五通管寬度 73mm			
	A	B	C	D	A	B	C	D	A	B	C	D
103.0	(16.5)	68	18.5	52.5								
107.5	(19.0)	68	20.5	54.5								
110.5	(22.0)	68	20.5	54.5	(21.0)	70	19.5	54.5				
113.5	(22.5)	68	23.0	57.0	(21.5)	70	22.0	57.0	(20.0)	73	20.5	57.0
115.0	(23.0)	68	24.0	58.0	(22.0)	70	23.0	58.0	(20.5)	73	21.5	58.0
116.0	(23.0)	68	25.0	59.0	(22.0)	70	24.0	59.0	(20.5)	73	22.5	59.0
118.0	(25.0)	68	25.0	59.0	(24.0)	70	24.0	59.0	(22.5)	73	22.5	59.0
119.0	(24.0)	68	27.0	61.0	(23.0)	70	26.0	61.0	(21.5)	73	24.5	61.0
122.5	(26.0)	68	28.5	62.5	(25.0)	70	27.5	62.5	(23.5)	73	26.0	62.5
124.5	(27.0)	68	29.5	63.5	(26.0)	70	28.5	63.5	(24.5)	73	27.0	63.5
126.0	(27.0)	68	31.0	65.0	(26.0)	70	30.0	65.0	(24.5)	73	28.5	65.0
127.5	(28.5)	68	31.0	65.0	(27.5)	70	30.0	65.0	(26.0)	73	28.5	65.0
131.0	(29.0)	68	34.0	68.0	(28.0)	70	33.0	68.0	(26.5)	73	31.5	68.0
134.0	(30.0)	68	36.0	70.0	(29.0)	70	35.0	70.0	(27.5)	73	33.5	70.0

## B920HAL (B920HBAL)



COMPONENTS 內容物 Cr-mo Stain Hollow Spindle & Alloy cups, Steel Body, Sealed Bearings 2pcs  
鉻鉬鋼空心軸心, 鋁牙碗, 鐵中管, 培林x2  
APPLICATIONS 適合車種 Trekking Bike 旅行車, Comfort Bike 城市車

• Threads: BC1.37"x24T R/L(B920HAL)  
BC36mmx24T R/R(B920HBAL)



AXLE MODEL 中軸代號	B.B. SHELL WIDTH=68mm 五通管寬度 68mm				B.B. SHELL WIDTH=70mm 五通管寬度 70mm				B.B. SHELL WIDTH=73mm 五通管寬度 73mm			
	A	B	C	D	A	B	C	D	A	B	C	D
107.5	19.0	68	20.5	54.5								
110.5	22.0	68	20.5	54.5	21.0	70	19.5	54.5				
113.5	22.5	68	23.0	57.0	21.5	70	22.0	57.0	20.0	73	20.5	57.0
115.0	23.0	68	24.0	58.0	22.0	70	23.0	58.0	20.5	73	21.5	58.0
116.0	23.0	68	25.0	59.0	22.0	70	24.0	59.0	20.5	73	22.5	59.0
118.0	25.0	68	25.0	59.0	24.0	70	24.0	59.0	22.5	73	22.5	59.0
119.0	24.0	68	27.0	61.0	23.0	70	26.0	61.0	21.5	73	24.5	61.0
122.5	26.0	68	28.5	62.5	25.0	70	27.5	62.5	23.5	73	26.0	62.5
127.5	28.5	68	31.0	65.0	27.5	70	30.0	65.0	26.0	73	28.5	65.0
131.0	29.0	68	34.0	68.0	28.0	70	33.0	68.0	26.5	73	31.5	68.0
134.0	30.0	68	36.0	70.0	29.0	70	35.0	70.0	27.5	73	33.5	70.0

五通碗組  
B.B. CARTRIDGE  
COTTERLESS TYPE

五通碗組  
B.B. CARTRIDGE  
COTTERLESS TYPE

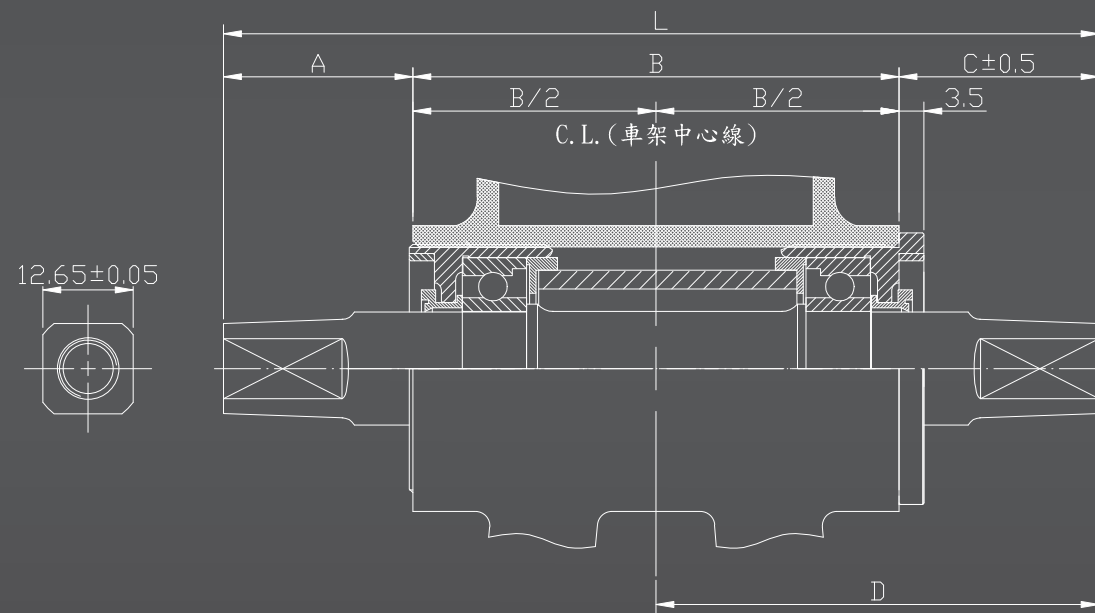
# B940 (B940E)



COMPONENTS 內容物 Carbon Body & Alloy cups,  
Cr-Mo Stain Hollow Spindle, Sealed Bearings 2pcs  
鉻鉬鋼空心軸心, 鋁碗, 碳纖維中管 培林x2

APPLICATIONS 適合車種 MTB 登山車, Road 公路車

• Threads: BC 1.37"x24T R/L



AXLE MODEL 中軸代號	B.B. SHELL WIDTH=68mm 五通管寬度 68mm				B.B. SHELL WIDTH=70mm 五通管寬度 70mm				B.B. SHELL WIDTH=73mm 五通管寬度 73mm			
	A	B	C	D	A	B	C	D	A	B	C	D
107.5	19.0	68	20.5	54.5								
110.5	22.5	68	20.5	54.5	21.5	70	19.5	54.5				
113.5	22.5	68	23.0	57.0	21.5	70	22.0	57.0	20.0	73	20.5	57.0
115.0	23.0	68	24.0	58.0	22.0	70	23.0	58.0	20.5	73	21.5	58.0
116.0	23.0	68	25.0	59.0	22.0	70	24.0	59.0	20.5	73	22.5	59.0
118.0	25.0	68	25.0	59.0	24.0	70	24.0	59.0	22.5	73	22.5	59.0
122.5	26.0	68	28.5	62.5	25.0	70	27.5	62.5	23.5	73	26.0	62.5
127.5	28.5	68	31.0	65.0	27.5	70	30.0	65.0	26.0	73	28.5	65.0

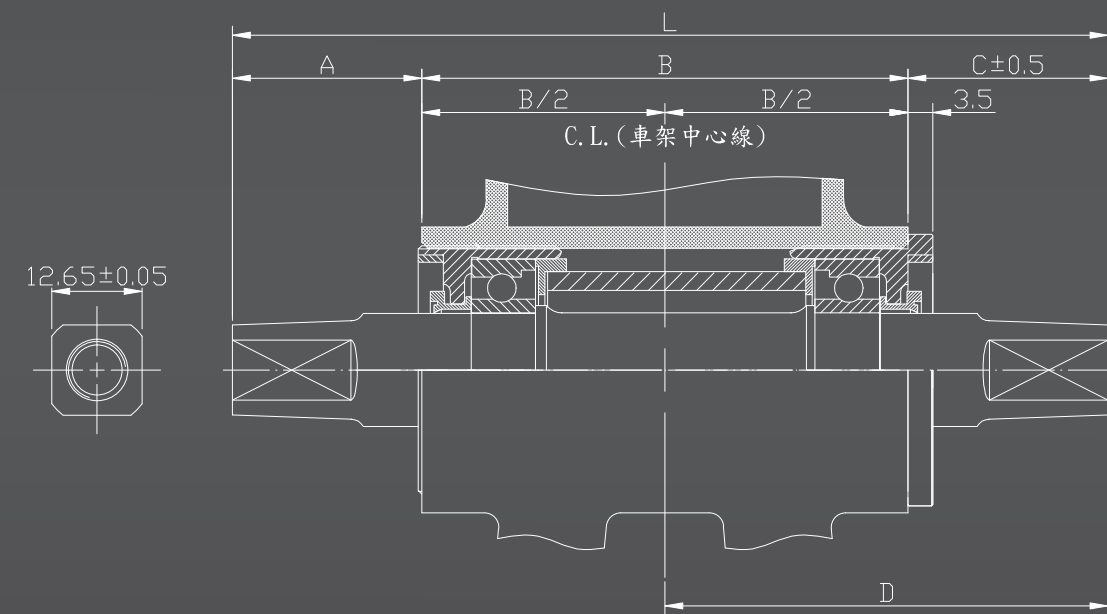
# B940CT



COMPONENTS 內容物 Carbon Body & Alloy cups,  
Titanium Hollow Axle, Sealed Bearings 2pcs  
鈦空心軸心, 鋁碗, 碳纖維中管 培林x2

APPLICATIONS 適合車種 MTB 登山車, Road 公路車

• Threads: BC 1.37"x24T R/L



AXLE MODEL 中軸代號	B.B. SHELL WIDTH=68mm 五通管寬度 68mm				B.B. SHELL WIDTH=70mm 五通管寬度 70mm				B.B. SHELL WIDTH=73mm 五通管寬度 73mm			
	A	B	C	D	A	B	C	D	A	B	C	D
103.0	16.5	68	18.5	52.5								
107.5	19.0	68	20.5	54.5								
110.5	22.5	68	20.5	54.5	21.5	70	19.5	54.5				
113.5	22.5	68	23.0	57.0	21.5	70	22.0	57.0	20.0	73	20.5	57.0
115.0	23.0	68	24.0	58.0	22.0	70	23.0	58.0	20.5	73	21.5	58.0
116.0	23.0	68	25.0	59.0	22.0	70	24.0	59.0	20.5	73	22.5	59.0
118.0	25.0	68	25.0	59.0	24.0	70	24.0	59.0	22.5	73	22.5	59.0
122.5	26.0	68	28.5	62.5	25.0	70	27.5	62.5	23.5	73	26.0	62.5
127.5	28.5	68	31.0	65.0	27.5	70	30.0	65.0	26.0	73	28.5	65.0

五通碗組  
B.B. CARTRIDGE  
COTTERLESS TYPE

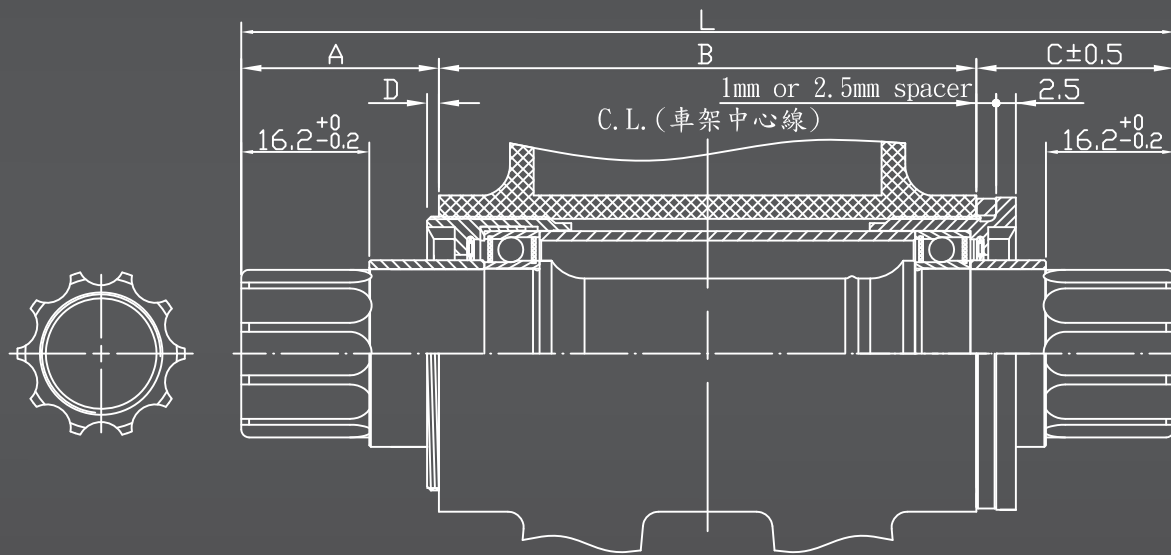
五通碗組  
B.B. CARTRIDGE  
COTTERLESS TYPE

# B952



**COMPONENTS 內容物** Cold Forged & CNC Machined,  
Steel Cups CNC, M15 Bolt  
Steel Body, Sealed Bearings 2pcs  
ISIS Spline Hollow Axle(Cr-Mo)  
鉻鉬鋼空心軸心, 鐵碗, 鐵中管, 螺絲x2, 培林x2

- Threads: BC 1.37"x24T R/L
- B.B Shell Width: 68mm,73mm



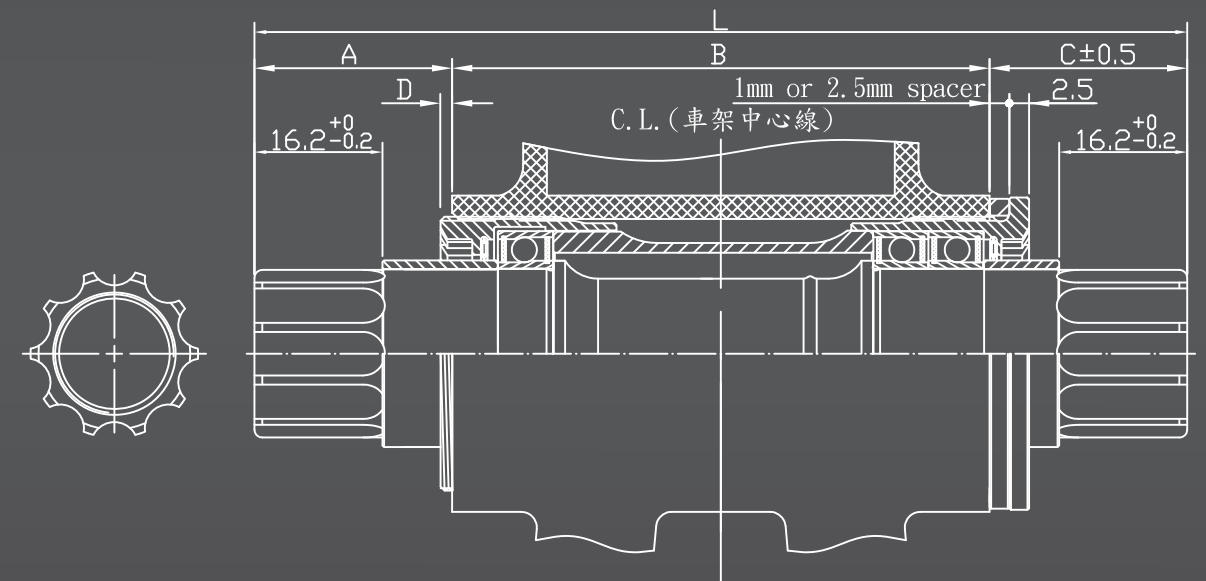
AXLE MODEL 中軸代號	B.B. SHELL WIDTH=68mm 五通管寬度 68mm				B.B. SHELL WIDTH=73mm 五通管寬度 73mm			BOLT THREAD 螺絲尺寸
	A	B	C	D	A	B	C(w/o spacer)	
108.0	20.0	68	20.0 (w/1mm spacer)	0.5	Not Compatible(不相容)			M15xP1
113.0	22.5	68	22.5 (w/2.5mm spacer)	1.5	20.0	73	20.0	M15xP1
118.0	25.0	68	25.0 (w/2.5mm spacer)	1.5	22.5	73	22.5	M15xP1
128.0	30.0	68	30.0 (w/2.5mm spacer)	1.5	27.5	73	27.5	M12xP1
135.0	33.5	68	33.5 (w/2.5mm spacer)	1.5	31.0	73	31.0	M12xP1

# B953



**COMPONENTS 內容物** Cold Forged & CNC Machined Alloy Cups  
w/ Dust Seal, Alloy Body,  
Sealed Bearings 3pcs, M15 Bolt  
ISIS Spline Hollow Axle(SCM435)  
鐵空心軸心, 鋁中管, 培林x3, 鋁碗防塵套, 螺絲x2

- Threads: BC 1.37"x24T R/L
- B.B Shell Width: 68mm,73mm



AXLE MODEL 中軸代號	B.B. SHELL WIDTH=68mm 五通管寬度 68mm				B.B. SHELL WIDTH=73mm 五通管寬度 73mm			BOLT THREAD 螺絲尺寸
	A	B	C	D	A	B	C(w/o spacer)	
108.0	20.0	68	20.0 (w/1mm spacer)	0.5	Not Compatible(不相容)			M15xP1
113.0	22.5	68	22.5 (w/2.5mm spacer)	1.5	20.0	73	20.0	M15xP1
118.0	25.0	68	25.0 (w/2.5mm spacer)	1.5	22.5	73	22.5	M15xP1
128.0	30.0	68	30.0 (w/2.5mm spacer)	1.5	27.5	73	27.0	M12xP1
135.0	33.5	68	33.5 (w/2.5mm spacer)	1.5	31.0	73	31.0	M12xP1

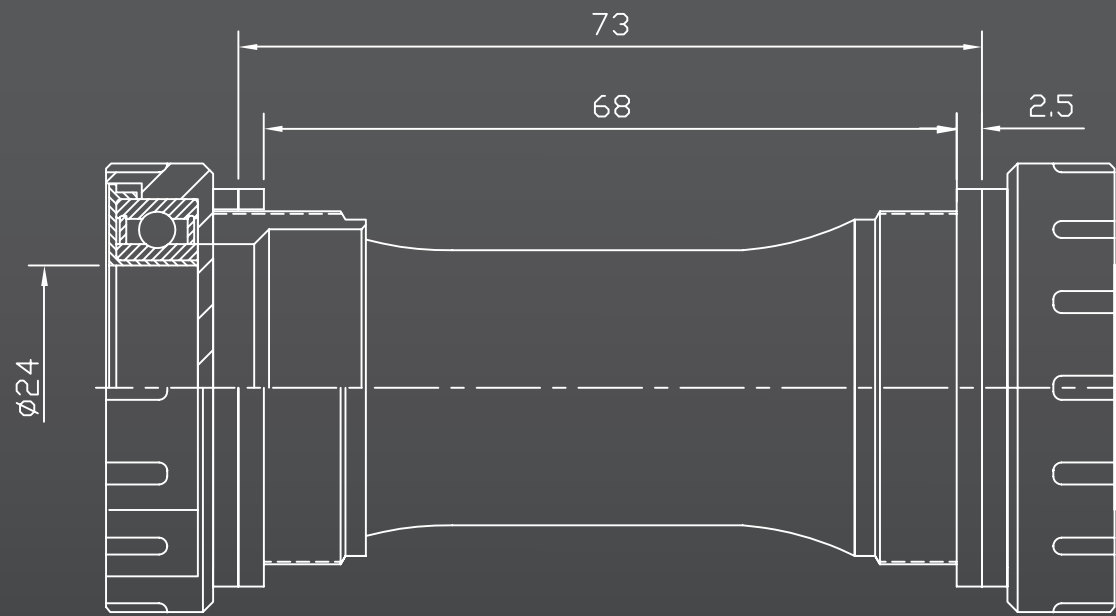
五通碗組  
B.B CARTRIDGE  
CARTRIDGE ISIS TYPE

五通碗組  
B.B CARTRIDGE  
CARTRIDGE ISIS TYPE

## BB401



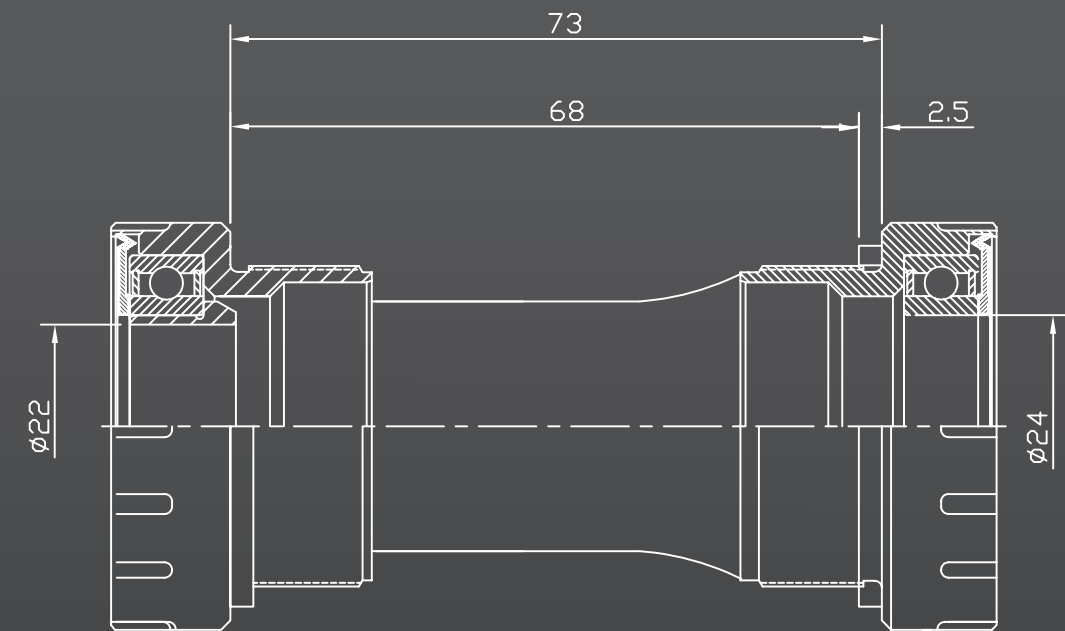
- MATERIAL 材質** Forged Alloy & CNC Machined External Cups  
鋁冷鍛 & CNC 車削牙碗  
Plastic Center Sleeve 塑膠中管
- SIZE 尺寸** English Threading 牙紋規格 (BC 1.37"x24T, R/L)  
for 68mm & 73mm Width 車架五通管寬 (68mm&73mm)  
Oversized Sealed Bearing 密封式軸承  
Ø24mm Spindle 軸心
- FINISH 表面處理** Anodized Cups 陽極碗
- WEIGHT 重量** 106g
- OPTIONAL 選配** With Ceramic Bearing 陶瓷珠軸承
- AVAILABLE SYSTEM 適用系統** SHIMANO



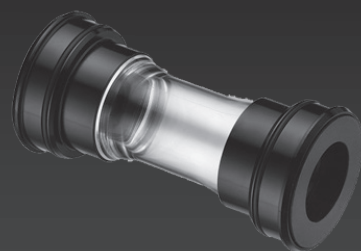
## BB501



- MATERIAL 材質** Forged Alloy & CNC Machined External Cups  
鋁冷鍛 & CNC 車削牙碗  
Plastic Center Sleeve 塑膠中管
- SIZE 尺寸** English Threading 牙紋規格 (BC 1.37"x24T, R/L)  
for 68mm & 73mm Width 車架五通管寬 (68mm&73mm)  
Oversized Sealed Bearing 密封式軸承  
Spindle OD Left 軸心左端外徑 (Crank-Side曲柄側) : Ø22mm  
Spindle OD Right 軸心右端外徑 (Crainwheel-Side齒盤側) : Ø24mm
- FINISH 表面處理** Anodized Cups 陽極碗
- WEIGHT 重量** 116g
- AVAILABLE SYSTEM 適用系統** SRAM



**BB86**  
**BB90**  
**BB92**



PRESS FIT TYPE 壓入式五通碗組

MATERIAL 材質 Forged Alloy & CNC Machined Press Fit Cups  
鋁冷鍛 & CNC 車削壓入式碗

Plastic Transparent Center Sleeve 透明塑膠中管

SIZE 尺寸  $\varnothing 24$ mm Spindle OD ( $\varnothing 24$ mm軸心外徑)

Available For 可適用於：

86.5mm Frame B.B Shell Width (86.5mm寬之車架五通管)

90mm Frame B.B Shell Width (90mm寬之車架五通管)

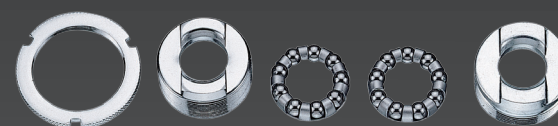
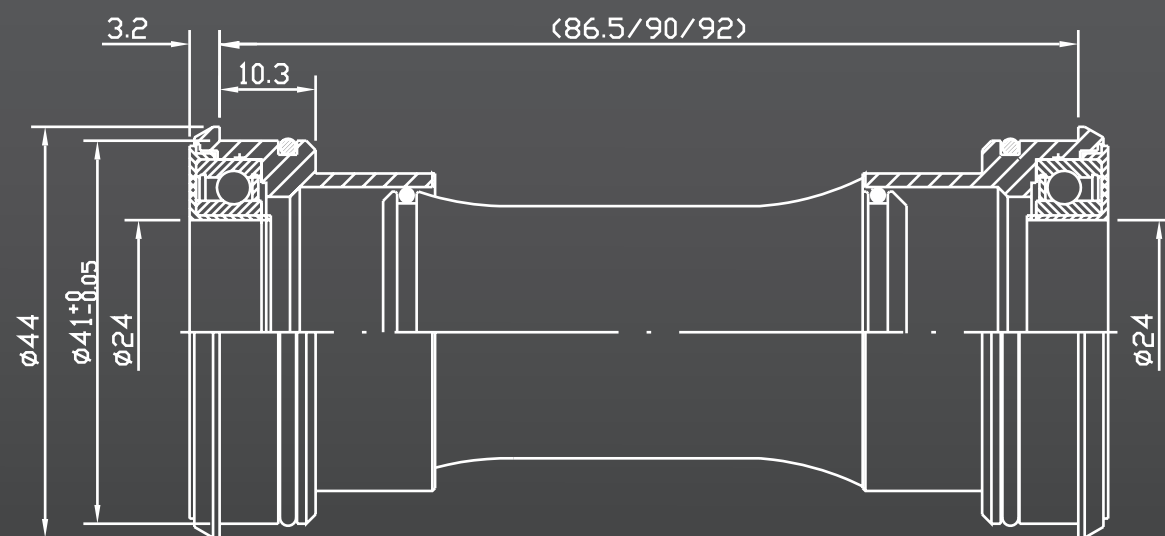
92mm Frame B.B Shell Width (92mm寬之車架五通管)

Press Fit Cups 壓入式碗  $\varnothing 41$ mm

FINISH 表面處理 Anodized Cups 陽極碗

WEIGHT 重量 95g

- B.B Shell Width : 86.5mm, 90mm, 92mm
- B.B Shell ID :  $\varnothing 41$ mm



**B881**

B881: BSA 1.37"x24T, R/L

MATERIAL 材料 Steel, Set of 5pcs 鐵 x 5pcs

COMPONENTS 內容物 Ball Retainers 珠巢 1/4"x9x2pcs

FINISH 表面處理 CP, UCP, ED, BK

APPLICATIONS 通用車種 Light Weight 輕便車, Mini Cycle 小車



**B882**

B882: BSA 1.37"x24T, R/L

MATERIAL 材料 Steel, Set of 5pcs 鐵 x 5pcs

COMPONENTS 內容物 Ball Retainers 珠巢 1/4"x9x2pcs

FINISH 表面處理 CP, UCP, ED, BK

APPLICATIONS 通用車種 Light Weight 輕便車, Mini Cycle 小車



**B882W**

B882W: BSA 1.37"x24T, R/L

MATERIAL 材料 Steel, Set of 5pcs 鐵 x 5pcs

COMPONENTS 內容物 Ball Retainers 珠巢 1/4"x9x2pcs

FINISH 表面處理 CP, ED

APPLICATIONS 通用車種 MTB 登山車 Road 公路車



**B886**

B886: BSA 1.37"x24T, R/L

MATERIAL 材料 Steel, Set of 6pcs 鐵 x 6pcs

COMPONENTS 內容物 Ball Retainers 珠巢 1/4"x9x2pcs

FINISH 表面處理 CP, UCP, ED, BK

APPLICATIONS 通用車種 Comfort(w/Chain Guard) 城市車 (加鏈條保護蓋)

五通碗組  
EXTERNAL CUP &  
PRESS FIT B.B SETS

五通碗組  
EXTERNAL CUP &  
PRESS FIT B.B SETS



## B887

B887: BSA 1.37"x24T, R/L

B887B: Italian 36mmx24T, R/R

MATERIAL 材料 Steel, Set of 5pcs 鐵 x 5pcs

COMPONENTS 內容物 Ball Retainers 珠巢 1/4"x9x2pcs

FINISH 表面處理 CP, UCP, ED, BK

APPLICATIONS 通用車種 Light Weight 輕便車, Mini Cycle小車



## B888

CUP SIZE 碗尺寸 Ø43mm

THREAD TYPE 牙紋 Left Cone: 3/4" un24T-LH

Right Cone: 13/16" un24T

MATERIAL 材料 Steel, Set of 9pcs 鐵 x 9pcs

COMPONENTS 內容物 Ball Retainers 珠巢 5/16"x7x2pcs

FINISH 表面處理 UCP, BK

APPLICATIONS 通用車種 BMX & Freestyle 表演車



## B890B

CUP SIZE 碗尺寸 Ø45mm

THREADTYPE 牙紋 Left Cone: 22un 24T-LH

Right Cone: 23.2un 32T

MATERIAL 材料 Steel, Set of 6pcs 鐵x6pcs

COMPONENTS 內容物 Sealed Bearing 培林

FINISH 表面處理 UCP



## B889

CUP SIZE 碗尺寸 Ø51.5mm

THREADTYPE 牙紋 Left Cone: 7/8"un 24T-LH

Right Cone: 15/16"un 24T

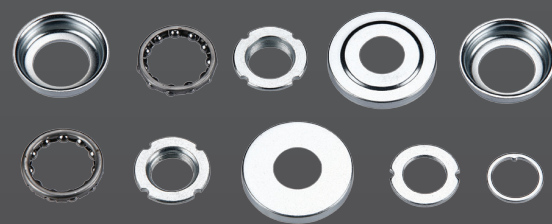
MATERIAL 材料 Steel, Set of 9pcs 鐵x9pcs

COMPONENTS 內容物 Ball Retainers 珠巢

5/16" x 9 x 2pcs

FINISH 表面處理 UCP, BK

APPLICATIONS 通用車種 BMX & Freestyle 表演車



## B890

CUP SIZE 碗尺寸 Ø45mm

THREADTYPE 牙紋 Left Cone: 22un 24T-LH

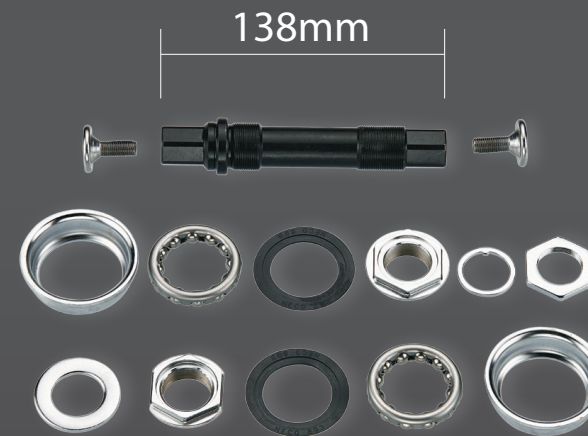
Right Cone: 23.2un 32T

MATERIAL 材料 Steel, Set of 10pcs 鐵x10pcs

COMPONENTS 內容物 Ball Retainers 珠巢

1/4" x 11C x 2pcs

FINISH 表面處理 UCP, BK



## B899W

CUP SIZE 碗尺寸 Ø51.5mm

THREADTYPE 牙紋 Left Cone: 7/8"un 24T-LH

Right Cone: 15/16un 24T

MATERIAL 材料 Steel(Cups Set Parts),

SCM430 (AXLE)

Set of 14pcs 鐵x14pcs

COMPONENTS 內容物 Ball Retainers 珠巢

5/16" x 12 x 2pcs, Dust Seal

FINISH 表面處理 CP (Cups Set Part) +

BK (AXLE)

APPLICATIONS 通用車種 Heavy BMX 重表演車

MTB 登山車