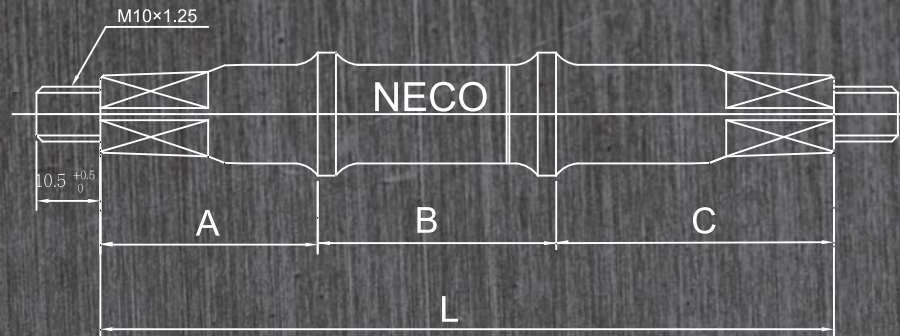
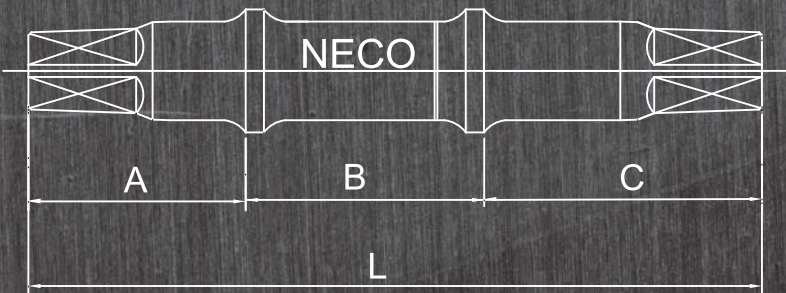


B906 / (B906E) / (B906B)

外牙中軸 Nut Type Cotterless Axle



內牙中軸 Bolt Type Cotterless Axle



內外牙中軸尺寸圖 Bolt/Nut Type Axle Dimension Chart

AXLE MODEL	3H	3E	3M	3J	3L	3A	3P	3PL	3N	3NL	3SS	3S	3T	3U	3UM	3R	3RM	3RMC	3MC
BRACKET WIDTH	68	68	68	68	68	68	68	68	68	68	68	68	68	68	68	68	68	68	68
A	28	28	29	30.5	32	32	32	35	32	35	32	35	35	35	37.5	35	37.5	40.5	32
B	52	52	52	52	52	52	52	52	52	52	52	52	52	52	52	52	52	52	52
C	28	30.5	29	30.5	32	33.5	35	35	36	36	37.5	37.5	39	40.5	40.5	42	42	42	43.5
L	108.0	110.5	110	113	116	117.5	119	122	120	123.0	121.5	124.5	126	127.5	130	129	131.5	134.5	127.5

AXLE MODEL	5A	5P	5SS	5S	5T	5U	5R	7J	7L	7A	7P	7PL	7N	7NN	7SS	7S	7T	7U	7R
BRACKET WIDTH	70	70	70	70	70	70	70	73	73	73	73	73	73	73	73	73	73	73	73
A	32	32	32	35	35	35	35	30.5	32	32	32	35	32	36	32	35	35	35	35
B	54	54	54	54	54	54	54	57	57	57	57	57	57	57	57	57	57	57	57
C	33.5	35	37.5	37.5	39	40.5	42	30.5	32	33.5	35	35	36	36	37.5	37.5	39	40.5	42
L	119.5	121.0	123.5	126.5	128	129.5	131	118	121	122.5	124	127	125	129	126.5	129.5	131	132.5	134

PS:紅框尺寸有最低訂購量限制。Red Frame Dimension,have MOQ limit.



COMPONENTS 內容物

10B21 Spindle, Dust Seal & Pre-Lubed Cartridge

Steel Cups, Plastic Body

鐵軸心, 防塵蓋, 卡式鐵牙碗, 塑膠中管

LOCKING RING COLOR 鎖環顏色

Black 黑

CUP COLOR 碗顏色

Black 黑

APPLICATIONS 適合車種

MTB 登山車, Road 公路車

WEIGHT(LENGTH122.5) 重量(長度122.5)

B906/315g

Threads 牙紋規格

BC 1.37"x24T R/L(B906/B906E)

BC 36mmx24T R/R(B906B)

Steel cups 鐵左右碗

(B906/B906B)

E-type steel cup 鐵左右碗, 右碗為 E-type

(B906E)

AXLE MODEL 中軸代號	AXLE LENGTH 中軸長度	B.B. SHELL WIDTH=68mm 五通管寬度 68mm				B.B. SHELL WIDTH=70mm 五通管寬度 70mm			
		A	B	C	D	A	B	C	D
2H	108.0(29.0/50/29.0)	20.5	68	19.5	53.5	18.5	70	19.5	54.5
2M	111.0(30.5/50/30.5)	22.0	68	21.0	55.0	20.0	70	21.0	56.0
2J	113.5(31.5/50/32.0)	23.0	68	22.5	56.5	21.0	70	22.5	57.5
2L	116.0(33.0/50/33.0)	24.5	68	23.5	57.5	22.5	70	23.5	58.5
2A	118.0(33.0/50/35.0)	24.5	68	25.5	59.5	22.5	70	25.5	60.5
2P	119.0(33.0/50/36.0)	24.5	68	26.5	60.5	22.5	70	26.5	61.5
2N	120.5(33.0/50/37.5)	24.5	68	28.0	62.0	22.5	70	28.0	63.0
2SS	122.0(33.0/50/39.0)	24.5	68	29.5	63.5	22.5	70	29.5	64.5
2NL	122.5(35.0/50/37.5)	26.5	68	28.0	62.0	24.5	70	28.0	63.0
2S	125.0(36.0/50/39.0)	27.5	68	29.5	63.5	25.5	70	29.5	64.5
2T	126.5(36.0/50/40.5)	27.5	68	31.0	65.0	25.5	70	31.0	66.0
2U	128.0(36.0/50/42.0)	27.5	68	32.5	66.5	25.5	70	32.5	67.5
2R	129.5(36.0/50/43.5)	27.5	68	34.0	68.0	25.5	70	34.0	69.0
2UM	131.0(39.0/50/42.0)	30.5	68	32.5	66.5	28.5	70	32.5	67.5
2RMC	135.5(42.0/50/43.5)	33.5	68	34.0	68.0	31.5	70	34.0	69.0

PS:紅框尺寸有最低訂購量限制。Red Frame Dimension,have MOQ limit.

B910 / (B910E) / (B910P) / (B910B) / (B910PP)



COMPONENTS 內容物

10B21 Spindle & Steel cups, Steel Body,
Sealed Bearing 2pcs

CUP COLOR 碗顏色

Black 黑

APPLICATIONS 適合車種

MTB 登山車, Road 公路車

WEIGHT(LENGTH122.5) 重量(長度122.5)

B910/312.6g, B910P/292g, B910PP/266g

Threads 牙紋規格

BC 1.37"x24T R/L(B910/B910E/B910P/B910PP)
BC 36mmx24T R/R(B910B)(B906/B906B)

Steel cups 鐵左右碗

(B910/B910B)

Steel right cup & nylon left cup 鐵右碗, 塑鋼左碗

(B910P)

Nylon cups 塑鋼左右碗

(B910PP)

E-type steel cup 鐵左右碗, 右碗為 E-type

(B910E)

LENGTH 中軸長度	B.B. SHELL WIDTH=68mm 五通管寬度 68mm				B.B. SHELL WIDTH=70mm 五通管寬度 70mm				B.B. SHELL WIDTH=73mm 五通管寬度 73mm				
	L	A	B	C	D	A	B	C	D	A	B	C	D
103.0	(16.5)	68	18.5	52.5									
107.5	(19.0)	68	20.5	54.5									
110.5	(22.0)	68	20.5	54.5	(21.0)	70	19.5	54.5					
113.5	(22.5)	68	23.0	57.0	(21.5)	70	22.0	57.0	(20.0)	73	20.5	57.0	
115.0	(23.0)	68	24.0	58.0	(22.0)	70	23.0	58.0	(20.5)	73	21.5	58.0	
116.0	(23.0)	68	25.0	59.0	(22.0)	70	24.0	59.0	(20.5)	73	22.5	59.0	
118.0	(25.0)	68	25.0	59.0	(24.0)	70	24.0	59.0	(22.5)	73	22.5	59.0	
119.0	(24.0)	68	27.0	61.0	(23.0)	70	26.0	61.0	(21.5)	73	24.5	61.0	
122.5	(26.0)	68	28.5	62.5	(25.0)	70	27.5	62.5	(23.5)	73	26.0	62.5	
124.5	(27.0)	68	29.5	63.5	(26.0)	70	28.5	63.5	(24.5)	73	27.0	63.5	
126.0	(27.0)	68	31.0	65.0	(26.0)	70	30.0	65.0	(24.5)	73	28.5	65.0	
127.5	(28.5)	68	31.0	65.0	(27.5)	70	30.0	65.0	(26.0)	73	28.5	65.0	
131.0	(29.0)	68	34.0	68.0	(28.0)	70	33.0	68.0	(26.5)	73	31.5	68.0	
134.0	(30.0)	68	36.0	70.0	(29.0)	70	35.0	70.0	(27.5)	73	33.5	70.0	
147.0	(36.0)	68	41.0	75.0									

PS:紅框尺寸有最低訂購量限制。Red Frame Dimension, have MOQ limit.

B911 / (B911E)



COMPONENTS 內容物

10B21 Spindle & Steel cups, Steel Body,
Sealed Bearing 2pcs

CUP COLOR 碗顏色

Black 黑

APPLICATIONS 適合車種

Fat Bike 雪地車

WEIGHT(LENGTH179.5) 重量(長度179.5)

B911/458g

Threads 牙紋規格

BC 1.37"x24T R/L

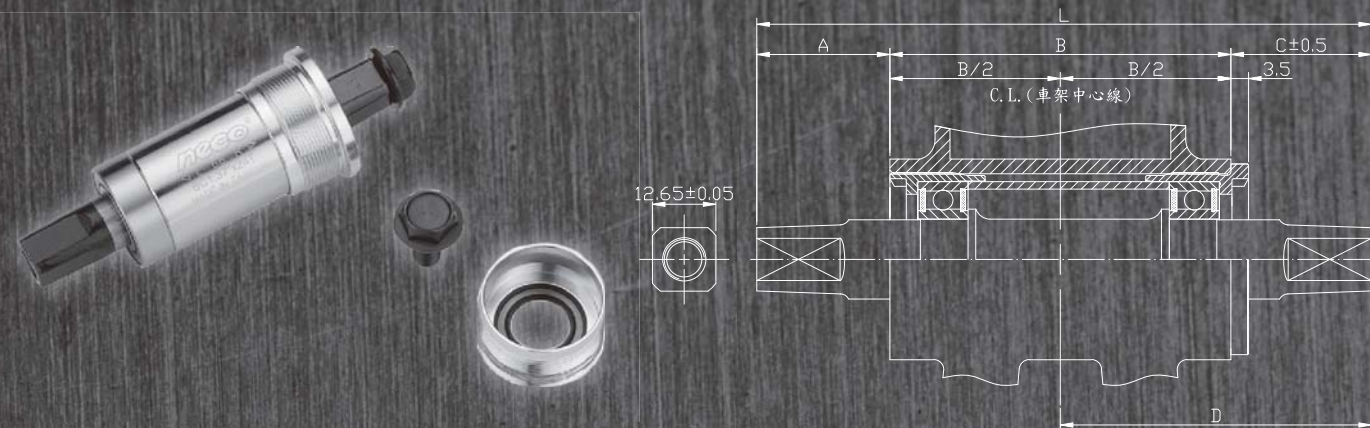
E-type steel cup 鐵左右碗, 右碗為 E-type

(B911E)

LENGTH 中軸長度	B.B. SHELL WIDTH=100mm 五通管寬度 100mm					B.B. SHELL WIDTH=120mm 五通管寬度 120mm					B.B. SHELL WIDTH=130mm 五通管寬度 130mm					
	L	A	B	C	D	F	A	B	C	D	F	A	B	C	D	F
151.0	27.8	100	23.2	73.2	3.0											
159.5	30.8	100	28.7	78.7	3.0											
164.0	29.5	100	34.5	84.5	4.0											
167.0						28.5	120	18.5	78.5	2.6						
167.0						25.0	120	22.0	82.0	1.9						
167.0						22.0	120	25.0	85.0	1.3						
179.5						30.8	120	28.7	88.7	3.0						
177.0												22.0	130	25.0	90.0	2.0

PS:紅框尺寸有最低訂購量限制。Red Frame Dimension, have MOQ limit.

B920/(B920E)/(B920A)/(B920AAL)/(B920BAL)



COMPONENTS 內容物

10B21 Axle & Alloy cups, Steel Body,
Sealed Bearing 2pcs

鐵軸心, 鋁牙碗, 鐵中管, 培林x2

APPLICATIONS 適合車種

MTB 登山車, Road 公路車

WEIGHT(LENGTH122.5) 重量(長度122.5)

B920A/276g, B920AL/277g, B920AAL/250g

Threads 牙紋規格

BC 1.37"x24T R/L(B920/B920E/B920A/B920AAL)
BC 36mmx24T R/R(B920BAL)

Alloy cups,Steel Body 鋁碗,鐵中管

(B920)

Steel cups,Alloy Body 鐵碗,鋁中管

(B920A)

Alloy cups,Alloy Body 鋁碗,鋁中管

(B920AAL)

E-type alloy cup 鋁碗,鐵中管,右碗為 E-type

(B920E)

LENGTH 中軸長度	B.B. SHELL WIDTH=68mm 五通管寬度 68mm				B.B. SHELL WIDTH=70mm 五通管寬度 70mm				B.B. SHELL WIDTH=73mm 五通管寬度 73mm			
	A	B	C	D	A	B	C	D	A	B	C	D
103.0	(16.5)	68	18.5	52.5								
107.5	(19.0)	68	20.5	54.5								
110.5	(22.0)	68	20.5	54.5	(21.0)	70	19.5	54.5				
113.5	(22.5)	68	23.0	57.0	(21.5)	70	22.0	57.0	(20.0)	73	20.5	57.0
115.0	(23.0)	68	24.0	58.0	(22.0)	70	23.0	58.0	(20.5)	73	21.5	58.0
116.0	(23.0)	68	25.0	59.0	(22.0)	70	24.0	59.0	(20.5)	73	22.5	59.0
118.0	(25.0)	68	25.0	59.0	(24.0)	70	24.0	59.0	(22.5)	73	22.5	59.0
119.0	(24.0)	68	27.0	61.0	(23.0)	70	26.0	61.0	(21.5)	73	24.5	61.0
122.5	(26.0)	68	28.5	62.5	(25.0)	70	27.5	62.5	(23.5)	73	26.0	62.5
124.5	(27.0)	68	29.5	63.5	(26.0)	70	28.5	63.5	(24.5)	73	27.0	63.5
126.0	(27.0)	68	31.0	65.0	(26.0)	70	30.0	65.0	(24.5)	73	28.5	65.0
127.5	(28.5)	68	31.0	65.0	(27.5)	70	30.0	65.0	(26.0)	73	28.5	65.0
131.0	(29.0)	68	34.0	68.0	(28.0)	70	33.0	68.0	(26.5)	73	31.5	68.0

B920HAL / (B920HBAL)



COMPONENTS 內容物

Cr-mo Stain Hollow Spindle & Alloy cups,
Steel Body, Sealed Bearing 2pcs

鉻鉬鋼中空軸心, 鋁牙碗, 鐵中管, 培林x2

APPLICATIONS 適合車種

Trekking Bike 旅行車, Comfort Bike 城市車

WEIGHT(LENGTH179.5) 重量(長度179.5)

B920HAL/255g

Threads 牙紋規格

BC 1.37"x24T R/L(B920HAL)
BC 36mmx24T R/R(B920HBAL)

LENGTH 中軸長度	B.B. SHELL WIDTH=68mm 五通管寬度 68mm				B.B. SHELL WIDTH=70mm 五通管寬度 70mm				B.B. SHELL WIDTH=73mm 五通管寬度 73mm			
	A	B	C	D	A	B	C	D	A	B	C	D
107.5	19.0	68	20.5	54.5								
110.5	22.0	68	20.5	54.5	21.0	70	19.5	54.5				
113.5	22.5	68	23.0	57.0	21.5	70	22.0	57.0	20.0	73	20.5	57.0
115.0	23.0	68	24.0	58.0	22.0	70	23.0	58.0	20.5	73	21.5	58.0
116.0	23.0	68	25.0	59.0	22.0	70	24.0	59.0	20.5	73	22.5	59.0
118.0	25.0	68	25.0	59.0	24.0	70	24.0	59.0	22.5	73	22.5	59.0
119.0	24.0	68	27.0	61.0	23.0	70	26.0	61.0	21.5	73	24.5	61.0
122.5	26.0	68	28.5	62.5	25.0	70	27.5	62.5	23.5	73	26.0	62.5
127.5	28.5	68	31.0	65.0	27.5	70	30.0	65.0	26.0	73	28.5	65.0
131.0	29.0	68	34.0	68.0	28.0	70	33.0	68.5	26.5	73	31.5	68.5

B940 / (B940E)



COMPONENTS 內容物

Cr-Mo Stain Hollow Spindle,
Carbon Body & Alloy cups, Sealed Bearing 2pcs
鉻鉬鋼空心軸心, 碳纖維中管, 鋁碗, 培林x2

APPLICATIONS 適合車種

MTB 登山車, Road 公路車

WEIGHT(LENGTH122.5) 重量(長度122.5)

B940/228g

Threads 牙紋規格

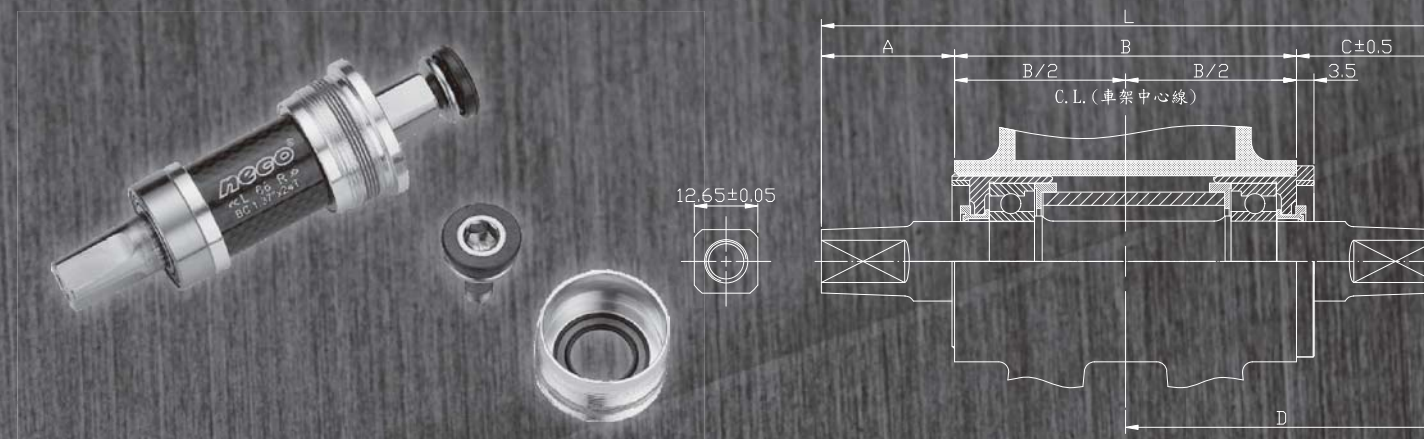
BC 1.37"x24T R/L

E-type alloy cup 右碗為 E-type

(B940E)

LENGTH 中軸長度	B.B. SHELL WIDTH=68mm 五通管寬度 68mm				B.B. SHELL WIDTH=70mm 五通管寬度 70mm				B.B. SHELL WIDTH=73mm 五通管寬度 73mm			
	A	B	C	D	A	B	C	D	A	B	C	D
107.5	(19.0)	68	20.5	54.5								
110.5	(22.0)	68	20.5	54.5	(21.0)	70	19.5	54.5				
113.5	(22.5)	68	23.0	57.0	(21.5)	70	22.0	57.0	(20.0)	73	20.5	57.0
115.0	(23.0)	68	24.0	58.0	(22.0)	70	23.0	58.0	(20.5)	73	21.5	58.0
116.0	(23.0)	68	25.0	59.0	(22.0)	70	24.0	59.0	(20.5)	73	22.5	59.0
118.0	(25.0)	68	25.0	59.0	(24.0)	70	24.0	59.0	(22.5)	73	22.5	59.0
122.5	(26.0)	68	28.5	62.5	(25.0)	70	27.5	62.5	(23.5)	73	26.0	62.5
127.5	(28.5)	68	31.0	65.0	(27.5)	70	30.0	65.0	(26.0)	73	28.5	65.0

B940CT



COMPONENTS 內容物

Titanium Hollow Axle,
Carbon Body & Alloy cups, Sealed Bearing 2pcs
鈦空心軸心, 碳纖維中管, 鋁碗, 培林x2

APPLICATIONS 適合車種

MTB 登山車, Road 公路車

WEIGHT(LENGTH122.5) 重量(長度122.5)

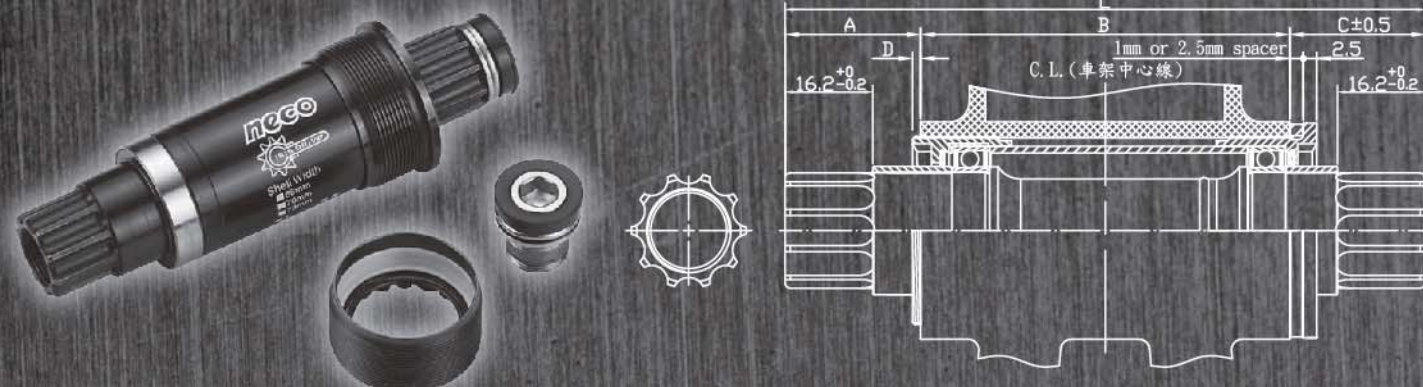
158g

Threads 牙紋規格

BC 1.37"x24T R/L

LENGTH 中軸長度	B.B. SHELL WIDTH=68mm 五通管寬度 68mm				B.B. SHELL WIDTH=70mm 五通管寬度 70mm				B.B. SHELL WIDTH=73mm 五通管寬度 73mm			
	A	B	C	D	A	B	C	D	A	B	C	D
103.0	(16.5)	68	18.5	52.5								
107.5	(19.0)	68	20.5	54.5								
110.5	(22.0)	68	20.5	54.5	(21.0)	70	19.5	54.5				
113.5	(22.5)	68	23.0	57.0	(21.5)	70	22.0	57.0	(20.0)	73	20.5	57.0
115.0	(23.0)	68	24.0	58.0	(22.0)	70	23.0	58.0	(20.5)	73	21.5	58.0
116.0	(23.0)	68	25.0	59.0	(22.0)	70	24.0	59.0	(20.5)	73	22.5	59.0
118.0	(25.0)	68	25.0	59.0	(24.0)	70	24.0	59.0	(22.5)	73	22.5	59.0
122.5	(26.0)	68	28.5	62.5	(25.0)	70	27.5	62.5	(23.5)	73	26.0	62.5
127.5	(28.5)	68	31.0	65.0	(27.5)	70	30.0	65.0	(26.0)	73	28.5	65.0

B952



COMPONENTS 內容物

ISIS Spline Hollow Axle(SCM440),
Cold Forged & CNC Machined Steel Cups,
Steel Body, Sealed Bearing 2pcs
鉻鉬鋼中空軸心, 鐵碗, 鐵中管, 培林x2

WEIGHT(LENGTH118) 重量(長度118)

280g

Threads 牙紋規格

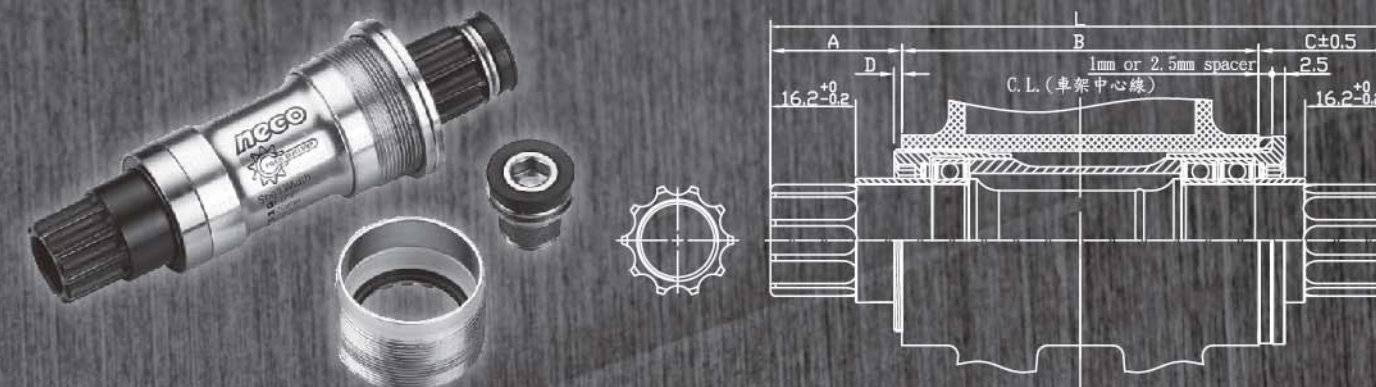
BC 1.37"x24T R/L

B.B Shell Width 五通管寬度

68mm, 73mm

LENHTH 中軸長度	B.B. SHELL WIDTH=68mm 五通管寬度 68mm				B.B. SHELL WIDTH=73mm 五通管寬度 73mm			BOLT THREAD 螺絲尺寸	
	L	A	B	C	D	A	B		C(w/o spacer)
108.0	20.0	68	20.0 (w/o SPACER)		0	Not Compatible(不相容)			M15xP1
113.0	22.5	68	22.5 (w/2.5mm spacer)		1.5	20.0	73	20.0	M15xP1
118.0	25.0	68	25.0 (w/2.5mm spacer)		1.5	22.5	73	22.5	M15xP1
128.0	30.0	68	30.0 (w/2.5mm spacer)		1.5	27.5	73	27.5	M12xP1
135.0	33.5	68	33.5 (w/2.5mm spacer)		1.5	31.0	73	31.0	M12xP1

B953



COMPONENTS 內容物

ISIS Spline Hollow Axle(SCM440)
Cold Forged & CNC Machined Alloy Cups
w/ Dust Seal, Alloy Body, Sealed Bearing 3pcs
鉻鉬鋼中空軸心, 鋁碗防塵套, 鋁中管, 培林x3

WEIGHT(LENGTH118) 重量(長度118)

242g

Threads 牙紋規格

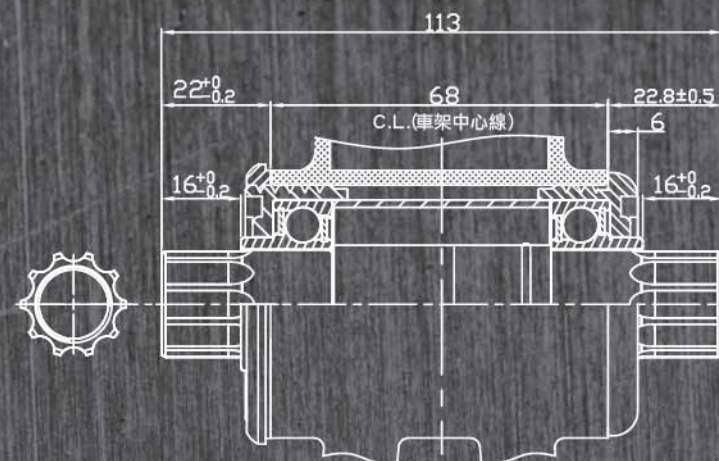
BC 1.37"x24T R/L

B.B Shell Width 五通管寬度

68mm, 73mm

LENHTH 中軸長度	B.B. SHELL WIDTH=68mm 五通管寬度 68mm				B.B. SHELL WIDTH=73mm 五通管寬度 73mm			BOLT THREAD 螺絲尺寸	
	L	A	B	C	D	A	B		C(w/o spacer)
108.0	20.0	68	20.0 (w/o SPACER)		0	Not Compatible(不相容)			M15xP1
113.0	22.5	68	22.5 (w/2.5mm spacer)		1.5	20.0	73	20.0	M15xP1
118.0	25.0	68	25.0 (w/2.5mm spacer)		1.5	22.5	73	22.5	M15xP1
128.0	30.0	68	30.0 (w/2.5mm spacer)		1.5	27.5	73	27.5	M12xP1
135.0	33.5	68	33.5 (w/2.5mm spacer)		1.5	31.0	73	31.0	M12xP1

B957



COMPONENTS 內容物

ISIS Spline Hollow Axle(SCM440)
Cold Forged& CNC Machined with Alloy Cups w/Dust Seal
Alloy Body, Sealed Bearing 2pcs
鉻鉚鋼中空軸心, 鋁碗防塵套, 鋁中管, 培林x2
557g

WEIGHT 重量

Threads 牙紋規格
B.B Shell Width 五通管寬度

M48xP1.5 R/L
68mm

LENHTH 中軸長度	B.B. SHELL WIDTH=68mm 五通管寬度 68mm			BOLT THREAD 螺絲尺寸
	L	A	B	
113.0	22.2	68	22.8	M12xP1

BB401



MATERIAL 材質

Forged Alloy & CNC Machined External Cups 鋁碗
Plastic Center Sleeve 塑膠中管

SIZE 尺寸

English Threading 牙紋規格(BC 1.37" x24T, R/L)
for 68mm & 73mm Width 五通管寬度(68mm&73mm)
Oversized Sealed Bearing 密封式軸承
Ø24mm Spindle Ø24軸心

FINISH 表面處理

Anodized Cups 陽極碗

WEIGHT 重量

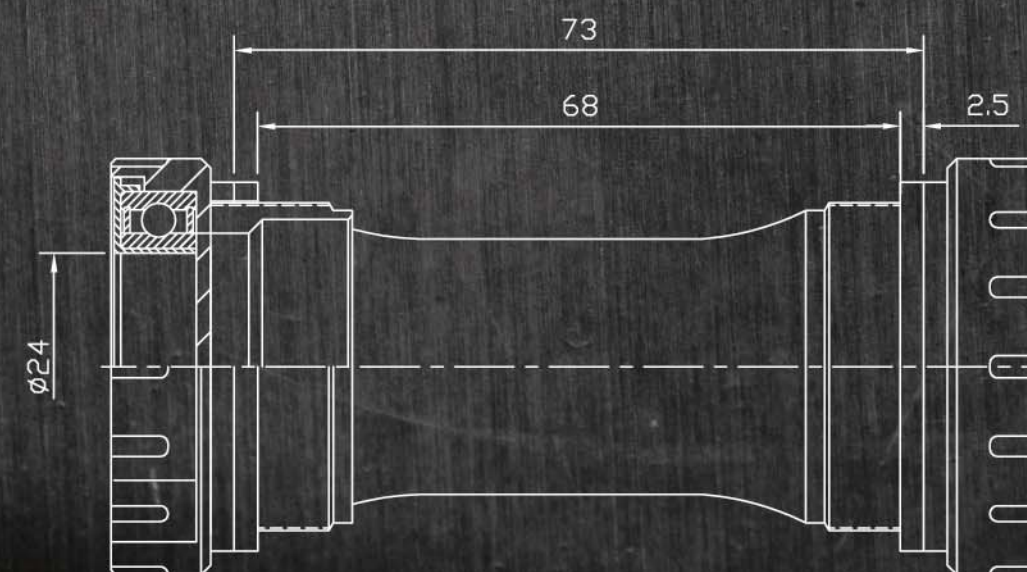
106g

OPTIONAL 選配

Ceramic Bearing 陶瓷珠軸承

AVAILABLE SYSTEM 適用系統

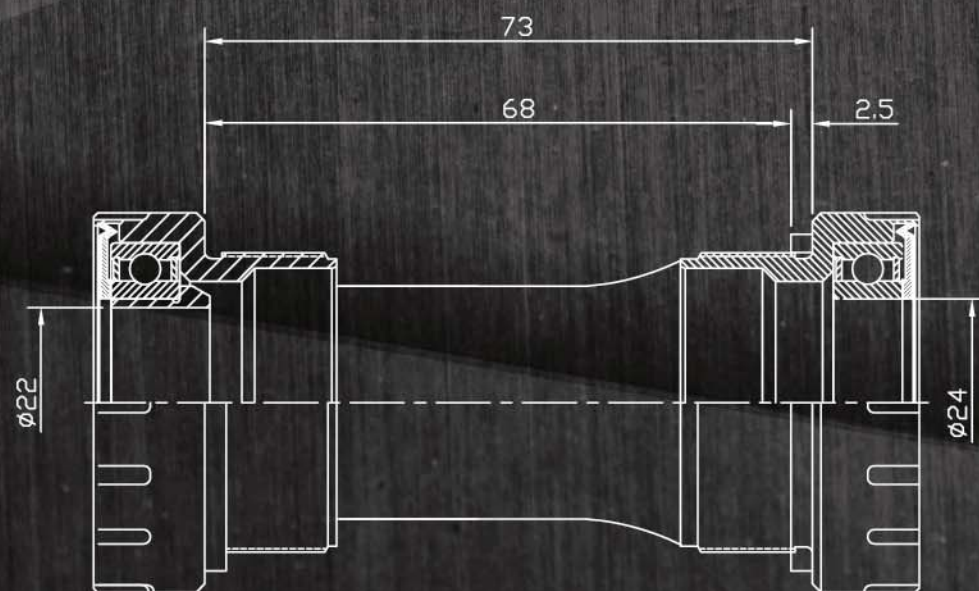
SHIMANO



BB501



MATERIAL 材質	Forged Alloy & CNC Machined External Cups 鋁碗 Plastic Center Sleeve 塑膠中管
SIZE 尺寸	English Threading 牙紋規格(BC 1.37" x24T, R/L) for 68mm & 73mm Width 五通管寬度(68mm&73mm) Oversized Sealed Bearing 密封式軸承 Spindle OD Left 軸心左端外徑(Crank-Side曲柄側): Ø22mm Spindle OD Right 軸心右端外徑(Chainwheel-Side齒盤側): Ø24mm
FINISH 表面處理	Anodized Cups 陽極碗
WEIGHT 重量	116g
AVAILABLE SYSTEM 適用系統	SRAM

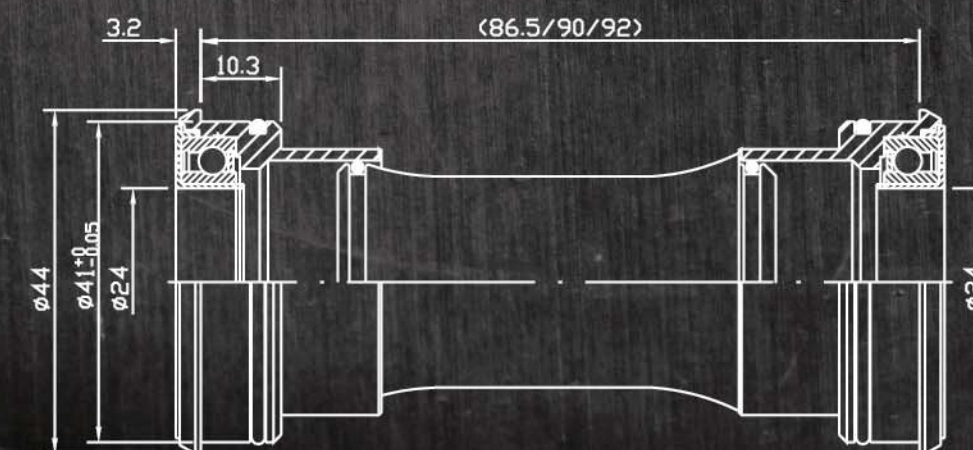


BB86 / BB90 / BB92



PRESS FIT TYPE 壓入式五通碗組

MATERIAL 材質	Forged Alloy & CNC Machined Press Fit Cups 鋁碗 Plastic Center Sleeve 塑膠中管
SIZE 尺寸	English Threading 牙紋規格(BC 1.37" x24T, R/L) Ø24mm Spindle OD Ø24mm軸心外徑
Available For 可適用於:	86.5mm Frame B.B Shell Width 86.5mm 寬之車架五通管 90mm Frame B.B Shell Width 90mm 寬之車架五通管 92mm Frame B.B Shell Width 92mm 寬之車架五通管 Press Fit Cups (壓入式碗Ø41mm)
FINISH 表面處理	Anodized Cups 陽極碗
WEIGHT 重量	95g
BB SHELL ID 五通管內徑	41mm



B881



B881: BSA 1.37" X24T, R/L

MATERIAL 材料 Steel, Set of 5pcs 鐵 x 5pcs

ROTATOR 轉動機構 Ball Retainers 珠巢 1/4" x9x2pcs

FINISH 表面處理 CP, UCP, ED, BK

APPLICATIONS 通用車種 Light Weight 輕便車, Mini Cycle 小車

B882



B882: BSA 1.37" X24T, R/L

MATERIAL 材料 Steel, Set of 5pcs 鐵 x 5pcs

ROTATOR 轉動機構 Ball Retainers 珠巢 1/4" x9x2pcs

FINISH 表面處理 CP, UCP, ED, BK

APPLICATIONS 通用車種 Light Weight 輕便車, Mini Cycle 小車

B886



B886: BSA 1.37" X24T, R/L

MATERIAL 材料 Steel, Set of 6pcs 鐵 x 6pcs

ROTATOR 轉動機構 Ball Retainers 珠巢 1/4" x9x2pcs

FINISH 表面處理 CP, UCP, ED, BK

APPLICATIONS 通用車種 Comfort(w/Chain Guard)
城市車 (加鏈條保護蓋)

B887/(B887B)



B887: BSA 1.37" x24T, R/L

B887B: Italian 36mmx24T, R/R

MATERIAL 材料 Steel, Set of 5pcs 鐵 x 5pcs

ROTATOR 轉動機構 Ball Retainers 珠巢 1/4" x9x2pcs

FINISH 表面處理 CP, UCP, ED, BK

APPLICATIONS 通用車種 Light Weight 輕便車, Mini Cycle 小車

B888



CUP SIZE 碗尺寸 Ø43mm

THREAD TYPE 牙紋 Left Cone: 3/4" un24T-LH

Right Cone: 13/16" un24T

MATERIAL 材料 Steel, Set of 9pcs 鐵 x 9pcs

ROTATOR 轉動機構 Ball Retainers 珠巢 5/16" x7x2pcs

FINISH 表面處理 UCP, BK

APPLICATIONS 通用車種 Children Bike 童車

B889



CUP SIZE 碗尺寸 Ø51.5mm

THREAD TYPE 牙紋 Left Cone: 7/8" un 24T-LH

Right Cone: 15/16" un 24T

MATERIAL 材料 Steel, Set of 9pcs 鐵x9pcs

ROTATOR 轉動機構 Ball Retainers 珠巢 5/16" x 9 x 2pcs

FINISH 表面處理 UCP, BK

APPLICATIONS 通用車種 BMX & Freestyle 表演車

B890



CUP SIZE 碗尺寸 Ø45mm

THREAD TYPE 牙紋 Left Cone: 22un 24T-LH

Right Cone: 23.2un 32T

MATERIAL 材料 Steel, Set of 10pcs 鐵x10pcs

ROTATOR 轉動機構 Ball Retainers 珠巢 1/4" x 11C x 2pcs

FINISH 表面處理 UCP, BK

B899W



CUP SIZE 碗尺寸 Ø51.5mm

THREAD TYPE 牙紋 Left Cone : 7/8" un 24T-LH

Right Cone: 15/16" un 24T

MATERIAL 材料 Steel(Cups Set Parts/碗及牙塞),
SCM430 (AXLE/中軸)
Set of 14pcs 鐵x14pcs

ROTATOR 轉動機構 Ball Retainers 珠巢
5/16" x 12 x 2pcs, Dust Seals

FINISH 表面處理 CP (Cups Set Part/碗及牙塞) +
BK (AXLE/中軸)

APPLICATIONS 通用車種 Heavy BMX 重表演車 MTB 登山車

B890B



CUP SIZE 碗尺寸 Ø45mm

THREAD TYPE 牙紋 Left Cone: 22un 24T-LH

Right Cone: 23.2un 32T

MATERIAL 材料 Steel, Set of 6pcs 鐵x6pcs

ROTATOR 轉動機構 Sealed Bearing 培林

FINISH 表面處理 UCP