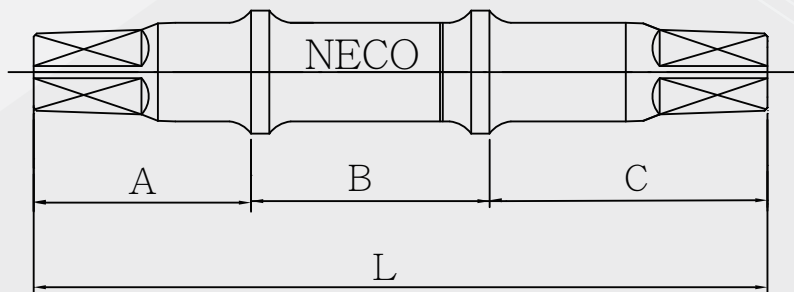


**外牙中軸**

Nut Type Cotterless Axle



**內牙中軸**

Bolt Type Cotterless Axle

**內外牙中軸尺寸圖 Bolt/Nut Type Axle Dimension Chart**

AXLE MODEL	3H	3E	3M	3J	3L	3A	3P	3PL	3N	3NL	3SS	3S	3T	3U	3UM	3R	3RM	3RMC	3MC
BRACKET WIDTH	68	68	68	68	68	68	68	68	68	68	68	68	68	68	68	68	68	68	68
A	28	28	29	30.5	32	32	32	35	32	35	32	35	35	35	37.5	35	37.5	40.5	32
B	52	52	52	52	52	52	52	52	52	52	52	52	52	52	52	52	52	52	52
C	28	30.5	29	30.5	32	33.5	35	35	36	36	37.5	37.5	39	40.5	40.5	42	42	42	43.5
L	108.0	110.5	110	113	116	117.5	119	122	120	123.0	121.5	124.5	126	127.5	130	129	131.5	134.5	127.5

AXLE MODEL	5A	5P	5SS	5S	5T	5U	5R	7J	7L	7A	7P	7PL	7N	7NN	7SS	7S	7T	7U	7R
BRACKET WIDTH	70	70	70	70	70	70	70	73	73	73	73	73	73	73	73	73	73	73	73
A	32	32	32	35	35	35	35	30.5	32	32	32	35	32	36	32	35	35	35	35
B	54	54	54	54	54	54	54	57	57	57	57	57	57	57	57	57	57	57	57
C	33.5	35	37.5	37.5	39	40.5	42	30.5	32	33.5	35	35	36	36	37.5	37.5	39	40.5	42
L	119.5	121.0	123.5	126.5	128	129.5	131	118	121	122.5	124	127	125	129	126.5	129.5	131	132.5	134

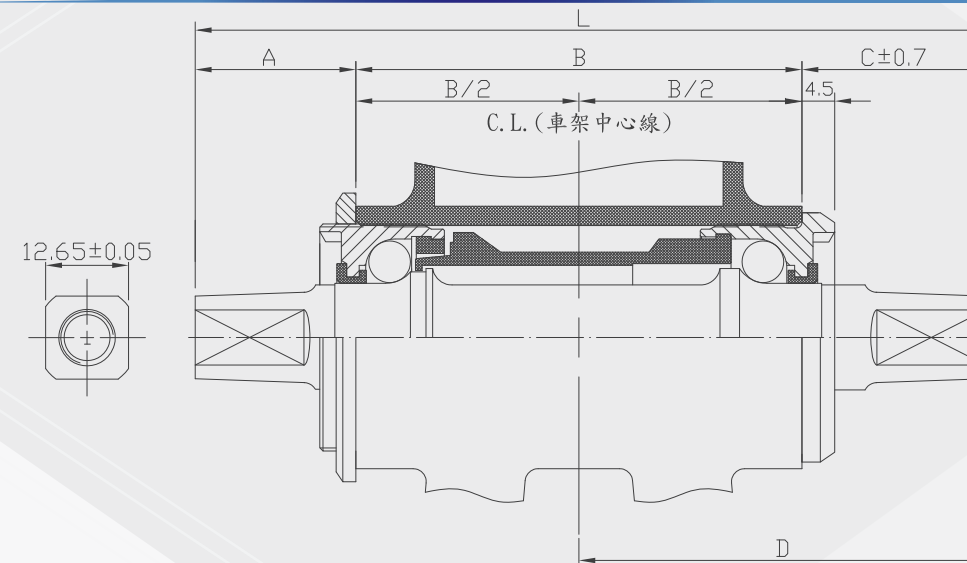
PS:紅框尺寸有最低訂購量限制。Red Frame Dimension, have MOQ limit.

**B906  
(B906E)  
(B906B)**



COMPONENTS	內容物	10B21 Spindle, Dust Seal & Pre-Lubed Cartridge Steel Cups, Plastic Body 鐵軸心, 防塵蓋, 卡式鐵牙碗, 塑膠中管
LOCKING RING COLOR	鎖環顏色	Black 黑
CUP COLOR	碗顏色	Black 黑
APPLICATIONS	適合車種	MTB 登山車, Road 公路車
WEIGHT(LENGTH122.5)	重量(長度122.5)	B906/315g

- Threads 牙紋規格 BC 1.37"x24T R/L(B906/B906E)  
BC 36mmx24T R/R(B906B)
- Steel cups 鐵左右碗(B906/B906B)  
E-type steel cup 鐵左右碗,右碗為E-type(B906E)



AXLE MODEL 中軸代號	AXLE LENGTH 中軸長度	B.B. SHELL WIDTH=68mm 五通管寬度 68mm				B.B. SHELL WIDTH=70mm 五通管寬度 70mm			
		A	B	C	D	A	B	C	D
2H	108.0(29.0/50/29.0)	20.5	68	19.5	53.5	18.5	70	19.5	54.5
2M	111.0(30.5/50/30.5)	22.0	68	21.0	55.0	20.0	70	21.0	56.0
2J	113.5(31.5/50/32.0)	23.0	68	22.5	56.5	21.0	70	22.5	57.5
2L	116.0(33.0/50/33.0)	24.5	68	23.5	57.5	22.5	70	23.5	58.5
2A	118.0(33.0/50/35.0)	24.5	68	25.5	59.5	22.5	70	25.5	60.5
2P	119.0(33.0/50/36.0)	24.5	68	26.5	60.5	22.5	70	26.5	61.5
2N	120.5(33.0/50/37.5)	24.5	68	28.0	62.0	22.5	70	28.0	63.0
2SS	122.0(33.0/50/39.0)	24.5	68	29.5	63.5	22.5	70	29.5	64.5
2NL	122.5(35.0/50/37.5)	26.5	68	28.0	62.0	24.5	70	28.0	63.0
2S	125.0(36.0/50/39.0)	27.5	68	29.5	63.5	25.5	70	29.5	64.5
2T	126.5(36.0/50/40.5)	27.5	68	31.0	65.0	25.5	70	31.0	66.0
2U	128.0(36.0/50/42.0)	27.5	68	32.5	66.5	25.5	70	32.5	67.5
2R	129.5(36.0/50/43.5)	27.5	68	34.0	68.0	25.5	70	34.0	69.0
2UM	131.0(39.0/50/42.0)	30.5	68	32.5	66.5	28.5	70	32.5	67.5
2RMC	135.5(42.0/50/43.5)	33.5	68	34.0	68.0	31.5	70	34.0	69.0

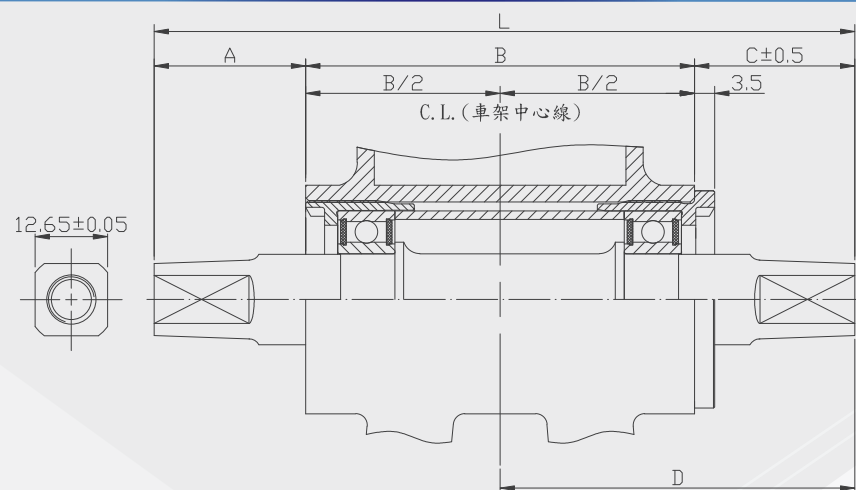
PS:紅框尺寸有最低訂購量限制。Red Frame Dimension, have MOQ limit.

# B910 (B910E) (B910P) (B910B) (B910PP)



COMPONENTS	內容物	10B21 Spindle & Steel cups, Steel Body, Sealed Bearing 2pcs 鐵軸心, 鐵牙碗, 鐵中管, 培林x2
CUP COLOR	碗顏色	Black 黑
APPLICATIONS	適合車種	MTB 登山車, Road 公路車
WEIGHT (LENGTH 122.5)	重量(長度122.5)	B910/312.6g, B910P/292g, B910PP/266g

- Threads 牙紋規格 BC 1.37"x24T R/L (B910/B910E/B910P/B910PP)  
BC 36mmx24T R/R (B910B)
- Steel cups 鐵左右碗 (B910/B910B)  
Steel right cup & nylon left cup 鐵右碗, 塑鋼左碗 (B910P)  
E-type steel cup 鐵左右碗, 右碗為E-type (B910E)  
Nylon cups 塑鋼左右碗 (B910PP)



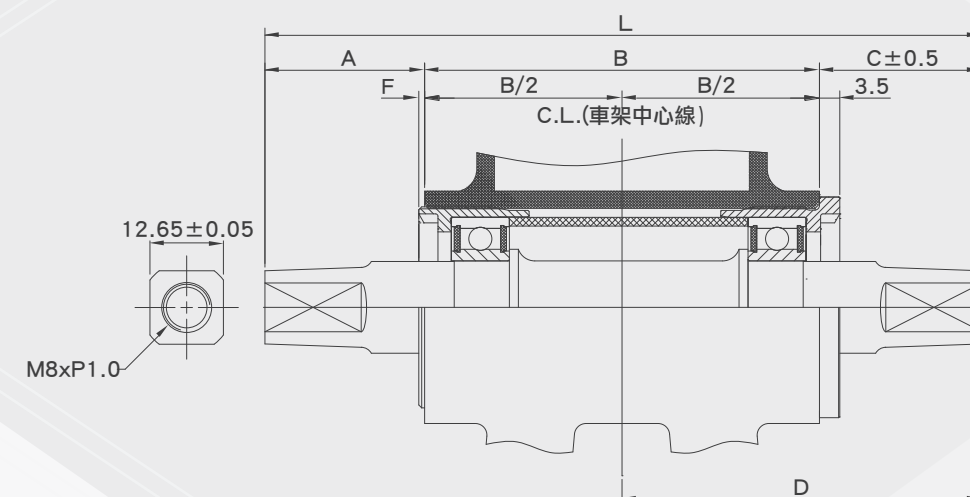
AXLE MODEL 中軸代號	B.B. SHELL WIDTH=68mm 五通管寬度 68mm				B.B. SHELL WIDTH=70mm 五通管寬度 70mm				B.B. SHELL WIDTH=73mm 五通管寬度 73mm			
	A	B	C	D	A	B	C	D	A	B	C	D
103.0	(16.5)	68	18.5	52.5								
107.5	(19.0)	68	20.5	54.5								
110.5	(22.0)	68	20.5	54.5	(21.0)	70	19.5	54.5				
113.5	(22.5)	68	23.0	57.0	(21.5)	70	22.0	57.0	(20.0)	73	20.5	57.0
115.0	(23.0)	68	24.0	58.0	(22.0)	70	23.0	58.0	(20.5)	73	21.5	58.0
116.0	(23.0)	68	25.0	59.0	(22.0)	70	24.0	59.0	(20.5)	73	22.5	59.0
118.0	(25.0)	68	25.0	59.0	(24.0)	70	24.0	59.0	(22.5)	73	22.5	59.0
119.0	(24.0)	68	27.0	61.0	(23.0)	70	26.0	61.0	(21.5)	73	24.5	61.0
122.5	(26.0)	68	28.5	62.5	(25.0)	70	27.5	62.5	(23.5)	73	26.0	62.5
124.5	(27.0)	68	29.5	63.5	(26.0)	70	28.5	63.5	(24.5)	73	27.0	63.5
126.0	(27.0)	68	31.0	65.0	(26.0)	70	30.0	65.0	(24.5)	73	28.5	65.0
127.5	(28.5)	68	31.0	65.0	(27.5)	70	30.0	65.0	(26.0)	73	28.5	65.0
131.0	(29.0)	68	34.0	68.0	(28.0)	70	33.0	68.0	(26.5)	73	31.5	68.0
134.0	(30.0)	68	36.0	70.0	(29.0)	70	35.0	70.0	(27.5)	73	33.5	70.0

# B911 (B911E)



COMPONENTS	內容物	10B21 Spindle & Steel cups, Steel Body, Sealed Bearing 2pcs 鐵軸心, 鐵牙碗, 鐵中管, 培林x2
CUP COLOR	碗顏色	BLACK 黑
APPLICATIONS	適合車種	Fat Bike 雪地車
WEIGHT (LENGTH 179.5)	重量(長度179.5)	B911/458g

- Threads 牙紋規格 BC 1.37"x24T R/L



AXLE MODEL 中軸代號	B.B. SHELL WIDTH=100mm 五通管寬度 100mm					B.B. SHELL WIDTH=120mm 五通管寬度 120mm					B.B. SHELL WIDTH=130mm 五通管寬度 130mm					
	L	A	B	C	D	F	A	B	C	D	F	A	B	C	D	F
151.0		27.8	100	23.2	73.2	3.0										
159.5		30.8	100	28.7	78.7	3.0										
167.0							28.5	120	18.5	78.5	2.6					
167.0							25.0	120	22.0	82.0	1.9					
167.0							22.0	120	25.0	85.0	1.3					
179.5							30.8	120	28.7	88.7	3.0					
177.0												22.0	130	25.0	90.0	2.0

PS:紅框尺寸有最低訂購量限制。Red Frame Dimension, have MOQ limit.

# B920AL (B920A) (B920AAL) (B920BAL)

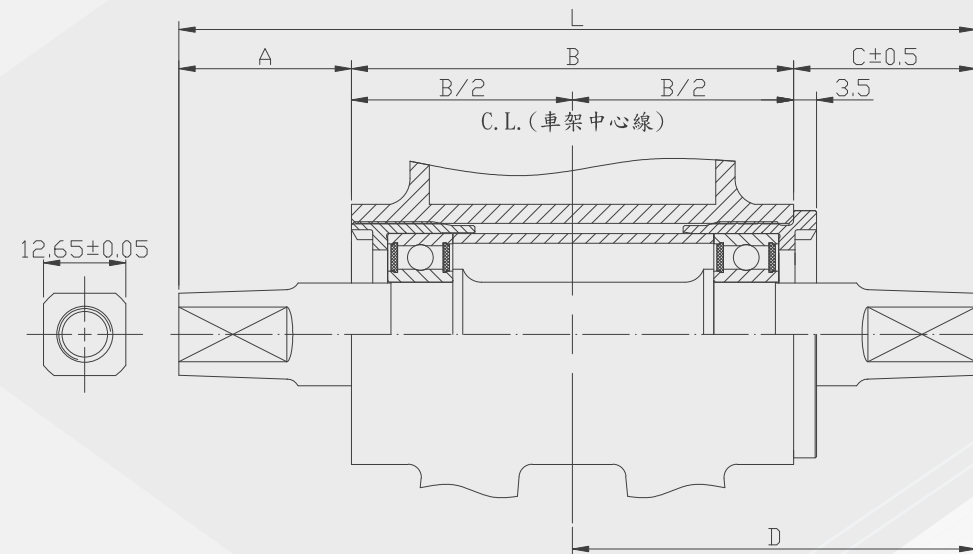


COMPONENTS 內容物 10B21 Axle & Alloy cups, Steel Body, Sealed Bearing 2pcs  
鐵軸心, 鋁牙碗, 鐵中管, 培林x2

APPLICATIONS 適合車種 MTB 登山車, Road 公路車

WEIGHT(LENGTH122.5)重量(長度122.5) B920A/276g, B920AL/277g, B920AAL/250g

- Threads 牙紋規格 BC 1.37"x24T R/L(B920AL), BC 36mmx24T R/R(B920BAL)
- Alloy cups, Steel Body 鋁碗, 鐵中管(B920AL)
- Steel cups, Alloy Body 鐵碗, 鋁中管(B920A)
- Alloy cups, Alloy Body 鋁碗, 鋁中管(B920AAL)



AXLE MODEL 中軸代號	B.B. SHELL WIDTH=68mm 五通管寬度 68mm				B.B. SHELL WIDTH=70mm 五通管寬度 70mm				B.B. SHELL WIDTH=73mm 五通管寬度 73mm			
	A	B	C	D	A	B	C	D	A	B	C	D
103.0	(16.5)	68	18.5	52.5								
107.5	(19.0)	68	20.5	54.5								
110.5	(22.0)	68	20.5	54.5	(21.0)	70	19.5	54.5				
113.5	(22.5)	68	23.0	57.0	(21.5)	70	22.0	57.0	(20.0)	73	20.5	57.0
115.0	(23.0)	68	24.0	58.0	(22.0)	70	23.0	58.0	(20.5)	73	21.5	58.0
116.0	(23.0)	68	25.0	59.0	(22.0)	70	24.0	59.0	(20.5)	73	22.5	59.0
118.0	(25.0)	68	25.0	59.0	(24.0)	70	24.0	59.0	(22.5)	73	22.5	59.0
119.0	(24.0)	68	27.0	61.0	(23.0)	70	26.0	61.0	(21.5)	73	24.5	61.0
122.5	(26.0)	68	28.5	62.5	(25.0)	70	27.5	62.5	(23.5)	73	26.0	62.5
124.5	(27.0)	68	29.5	63.5	(26.0)	70	28.5	63.5	(24.5)	73	27.0	63.5
126.0	(27.0)	68	31.0	65.0	(26.0)	70	30.0	65.0	(24.5)	73	28.5	65.0
127.5	(28.5)	68	31.0	65.0	(27.5)	70	30.0	65.0	(26.0)	73	28.5	65.0
131.0	(29.0)	68	34.0	68.0	(28.0)	70	33.0	68.0	(26.5)	73	31.5	68.0

# B920HAL (B920HBAL)

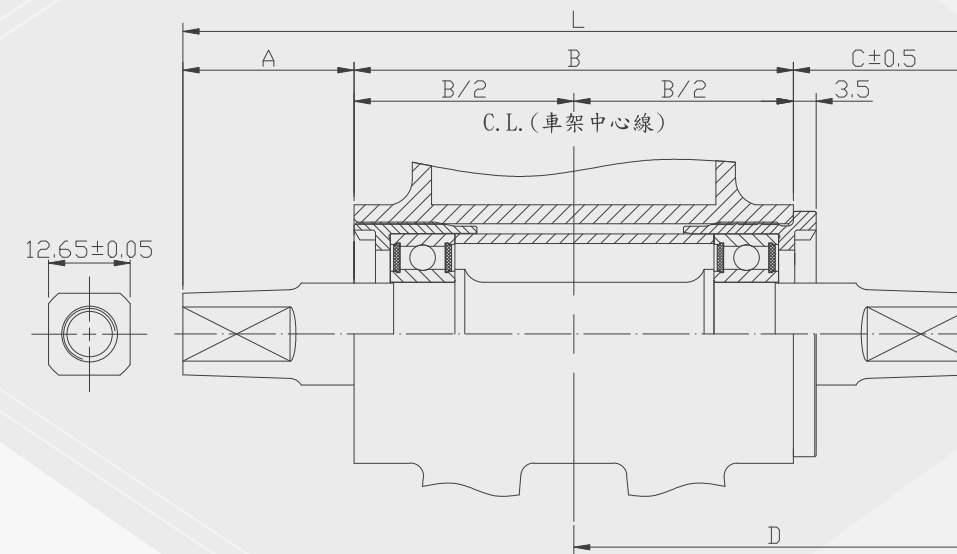


COMPONENTS 內容物 Cr-mo Stain Hollow Spindle & Alloy cups, Steel Body, Sealed Bearing 2pcs  
鉻鉬鋼中空軸心, 鋁牙碗, 鐵中管, 培林x2

APPLICATIONS 適合車種 Trekking Bike 旅行車, Comfort Bike 城市車

WEIGHT(LENGTH122.5)重量(長度122.5) B920HAL/255g

- Threads 牙紋規格 BC 1.37"x24T R/L(B920HAL)  
BC 36mmx24T R/R(B920HBAL)



AXLE MODEL 中軸代號	B.B. SHELL WIDTH=68mm 五通管寬度 68mm				B.B. SHELL WIDTH=70mm 五通管寬度 70mm				B.B. SHELL WIDTH=73mm 五通管寬度 73mm			
	A	B	C	D	A	B	C	D	A	B	C	D
107.5	19.0	68	20.5	54.5								
110.5	22.0	68	20.5	54.5	21.0	70	19.5	54.5				
113.5	22.5	68	23.0	57.0	21.5	70	22.0	57.0	20.0	73	20.5	57.0
115.0	23.0	68	24.0	58.0	22.0	70	23.0	58.0	20.5	73	21.5	58.0
116.0	23.0	68	25.0	59.0	22.0	70	24.0	59.0	20.5	73	22.5	59.0
118.0	25.0	68	25.0	59.0	24.0	70	24.0	59.0	22.5	73	22.5	59.0
119.0	24.0	68	27.0	61.0	23.0	70	26.0	61.0	21.5	73	24.5	61.0
122.5	26.0	68	28.5	62.5	25.0	70	27.5	62.5	23.5	73	26.0	62.5
127.5	28.5	68	31.0	65.0	27.5	70	30.0	65.0	26.0	73	28.5	65.0
131.0	29.0	68	34.0	68.0	28.0	70	33.0	68.5	26.5	73	31.5	68.5

# B940 (B940E)

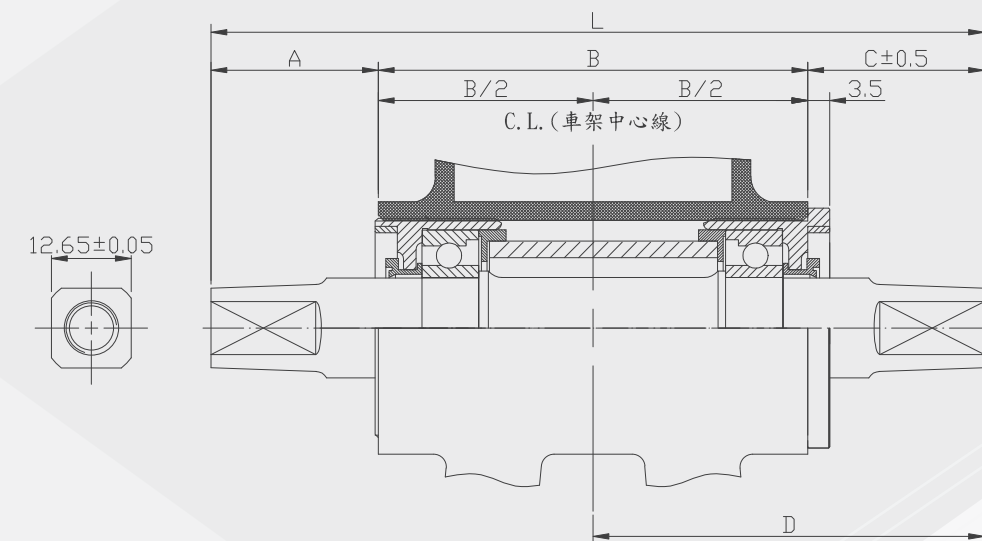


**COMPONENTS** 內容物 Cr-Mo Stain Hollow Spindle, Carbon Body & Alloy cups, Sealed Bearing 2pcs  
 鉻鉬鋼空心軸心, 碳纖維中管, 鋁碗, 培林x2

**APPLICATIONS** 適合車種 MTB 登山車, Road 公路車

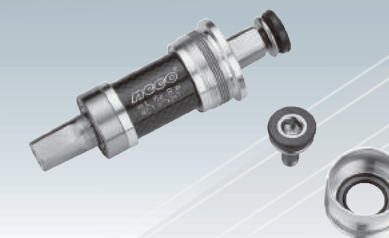
**WEIGHT (LENGTH 122.5)** 重量(長度122.5) B940/228g

• **Threads** 牙紋規格 BC 1.37"x24T R/L



AXLE MODEL 中軸代號	B.B. SHELL WIDTH=68mm 五通管寬度 68mm				B.B. SHELL WIDTH=70mm 五通管寬度 70mm				B.B. SHELL WIDTH=73mm 五通管寬度 73mm			
	A	B	C	D	A	B	C	D	A	B	C	D
107.5	(19.0)	68	20.5	54.5								
110.5	(22.0)	68	20.5	54.5	(21.0)	70	19.5	54.5				
113.5	(22.5)	68	23.0	57.0	(21.5)	70	22.0	57.0	(20.0)	73	20.5	57.0
115.0	(23.0)	68	24.0	58.0	(22.0)	70	23.0	58.0	(20.5)	73	21.5	58.0
116.0	(23.0)	68	25.0	59.0	(22.0)	70	24.0	59.0	(20.5)	73	22.5	59.0
118.0	(25.0)	68	25.0	59.0	(24.0)	70	24.0	59.0	(22.5)	73	22.5	59.0
122.5	(26.0)	68	28.5	62.5	(25.0)	70	27.5	62.5	(23.5)	73	26.0	62.5
127.5	(28.5)	68	31.0	65.0	(27.5)	70	30.0	65.0	(26.0)	73	28.5	65.0

# B940CT

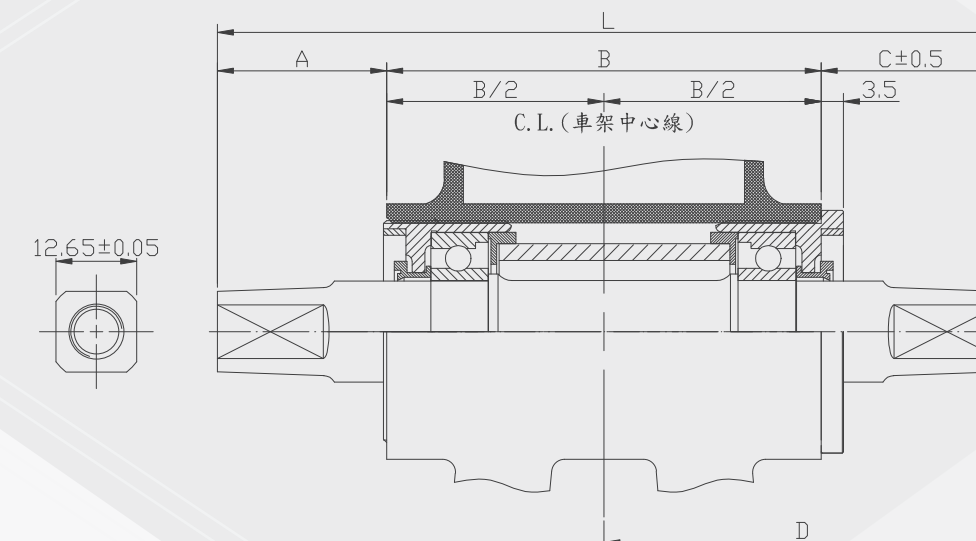


**COMPONENTS** 內容物 Titanium Hollow Axle, Carbon Body & Alloy cups, Sealed Bearing 2pcs  
 鈦空心軸心, 碳纖維中管, 鋁碗, 培林x2

**APPLICATIONS** 適合車種 MTB 登山車, Road 公路車

**WEIGHT (LENGTH 122.5)** 重量(長度122.5) 158g

• **Threads** 牙紋規格 BC 1.37"x24T R/L



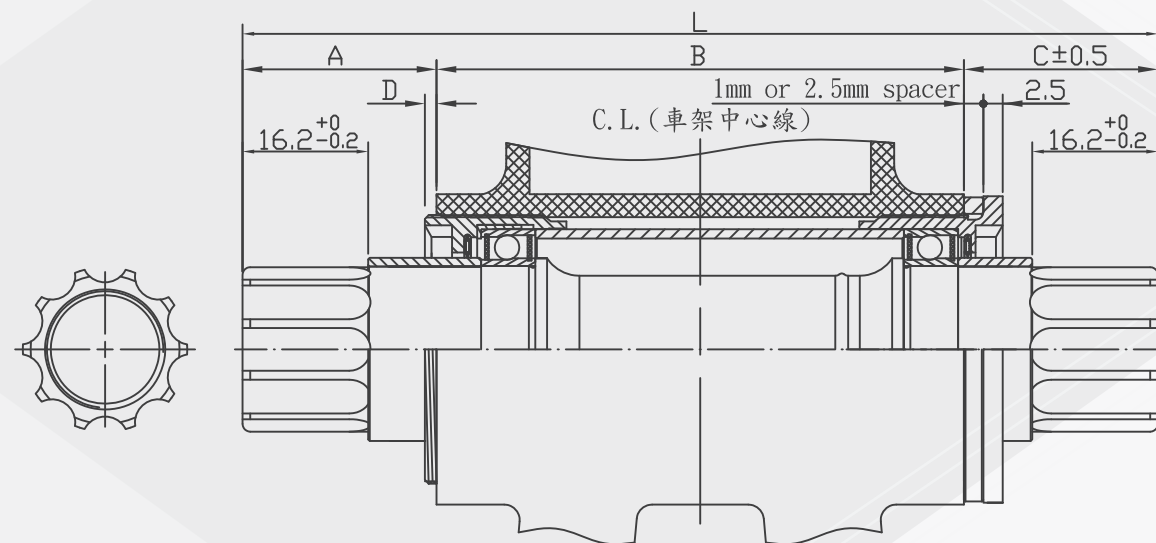
AXLE MODEL 中軸代號	B.B. SHELL WIDTH=68mm 五通管寬度 68mm				B.B. SHELL WIDTH=70mm 五通管寬度 70mm				B.B. SHELL WIDTH=73mm 五通管寬度 73mm			
	A	B	C	D	A	B	C	D	A	B	C	D
103.0	(16.5)	68	18.5	52.5								
107.5	(19.0)	68	20.5	54.5								
110.5	(22.0)	68	20.5	54.5	(21.0)	70	19.5	54.5				
113.5	(22.5)	68	23.0	57.0	(21.5)	70	22.0	57.0	(20.0)	73	20.5	57.0
115.0	(23.0)	68	24.0	58.0	(22.0)	70	23.0	58.0	(20.5)	73	21.5	58.0
116.0	(23.0)	68	25.0	59.0	(22.0)	70	24.0	59.0	(20.5)	73	22.5	59.0
118.0	(25.0)	68	25.0	59.0	(24.0)	70	24.0	59.0	(22.5)	73	22.5	59.0
122.5	(26.0)	68	28.5	62.5	(25.0)	70	27.5	62.5	(23.5)	73	26.0	62.5
127.5	(28.5)	68	31.0	65.0	(27.5)	70	30.0	65.0	(26.0)	73	28.5	65.0

# B952



COMPONENTS	內容物	ISIS Spline Hollow Axle(SCM440), Cold Forged & CNC Machined Steel Cups, Steel Body, Sealed Bearing 2pcs 鉻鉬鋼中空軸心, 鐵碗, 鐵中管, 培林x2
WEIGHT(LENGTH118)	重量(長度118)	280g

- Threads 牙紋規格 BC 1.37"x24T R/L
- B.B Shell Width 五通管寬度 68mm, 73mm



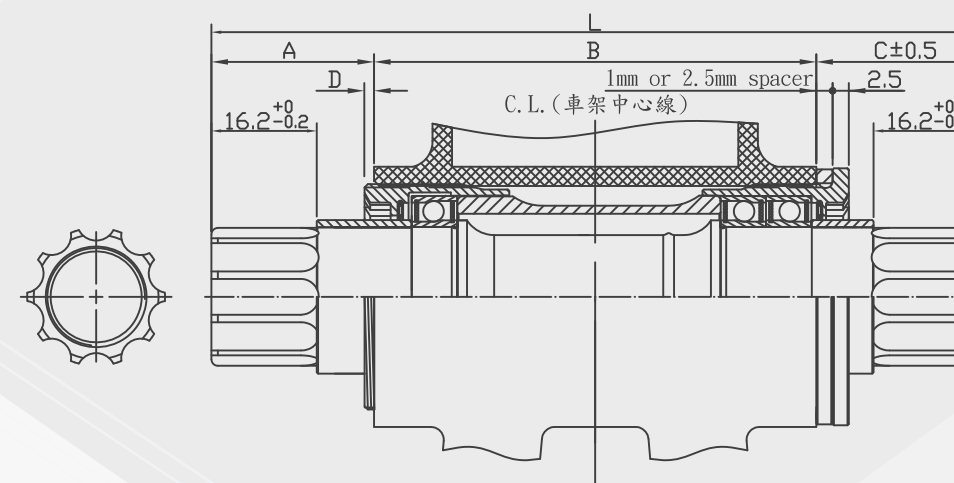
AXLE MODEL 中軸代號	B.B. SHELL WIDTH=68mm 五通管寬度 68mm				B.B. SHELL WIDTH=73mm 五通管寬度 73mm			BOLT THREAD 螺絲尺寸
	A	B	C	D	A	B	C(w/o spacer)	
108.0	20.0	68	20.0 (w/2.5mm spacer)	0.5	Not Compatible(不相容)			M15xP1
113.0	22.5	68	22.5 (w/2.5mm spacer)	1.5	20.0	73	20.0	M15xP1
118.0	25.0	68	25.0 (w/2.5mm spacer)	1.5	22.5	73	22.5	M15xP1
128.0	30.0	68	30.0 (w/2.5mm spacer)	1.5	27.5	73	27.5	M12xP1
135.0	33.5	68	33.5 (w/2.5mm spacer)	1.5	31.0	73	31.0	M12xP1

# B953



COMPONENTS	內容物	ISIS Spline Hollow Axle(SCM440) Cold Forged & CNC Machined Alloy Cups w/ Dust Seal, Alloy Body, Sealed Bearing 3pcs 鉻鉬鋼中空軸心, 鋁碗防塵套, 鋁中管, 培林x3
WEIGHT(LENGTH118)	重量(長度118)	242g

- Threads 牙紋規格 BC 1.37"x24T R/L
- B.B Shell Width 五通管寬度 68mm, 73mm

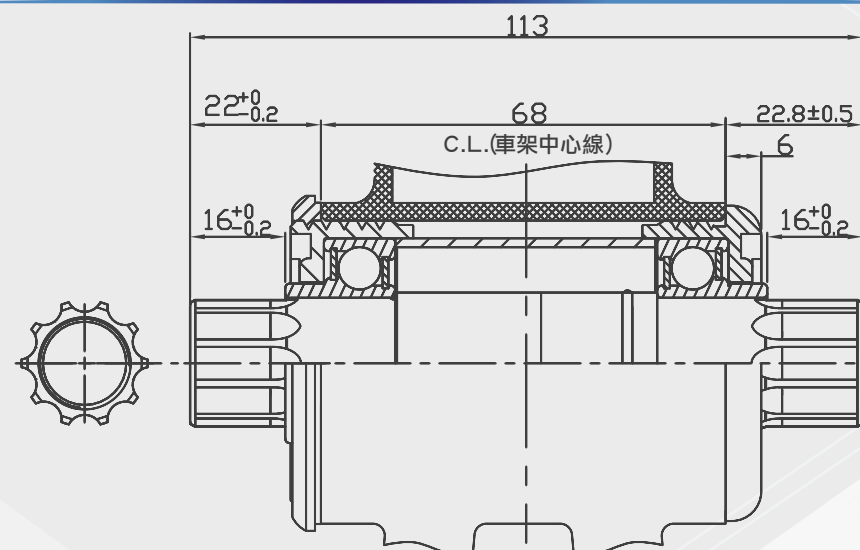


AXLE MODEL 中軸代號	B.B. SHELL WIDTH=68mm 五通管寬度 68mm				B.B. SHELL WIDTH=73mm 五通管寬度 73mm			BOLT THREAD 螺絲尺寸
	A	B	C	D	A	B	C(w/o spacer)	
108.0	20.0	68	20.0 (w/2.5mm spacer)	0.5	Not Compatible(不相容)			M15xP1
113.0	22.5	68	22.5 (w/2.5mm spacer)	1.5	20.0	73	20.0	M15xP1
118.0	25.0	68	25.0 (w/2.5mm spacer)	1.5	22.5	73	22.5	M15xP1
128.0	30.0	68	30.0 (w/2.5mm spacer)	1.5	27.5	73	27.0	M12xP1
135.0	33.5	68	33.5 (w/2.5mm spacer)	1.5	31.0	73	31.0	M12xP1

# B957



COMPONENTS	內容物	ISIS Spline Hollow Axle(SCM440) Cold Forged& CNC Machined with Alloy Cups w/Dust Seal Alloy Body, Sealed Bearing 2pcs 鉻鋁鋼中空軸心, 鋁碗防塵套, 鋁中管, 培林x2
WEIGHT	重量	557g
• Threads	牙紋規格	M48xP1.5 R/L
• B.B Shell Width	五通管寬度	68mm

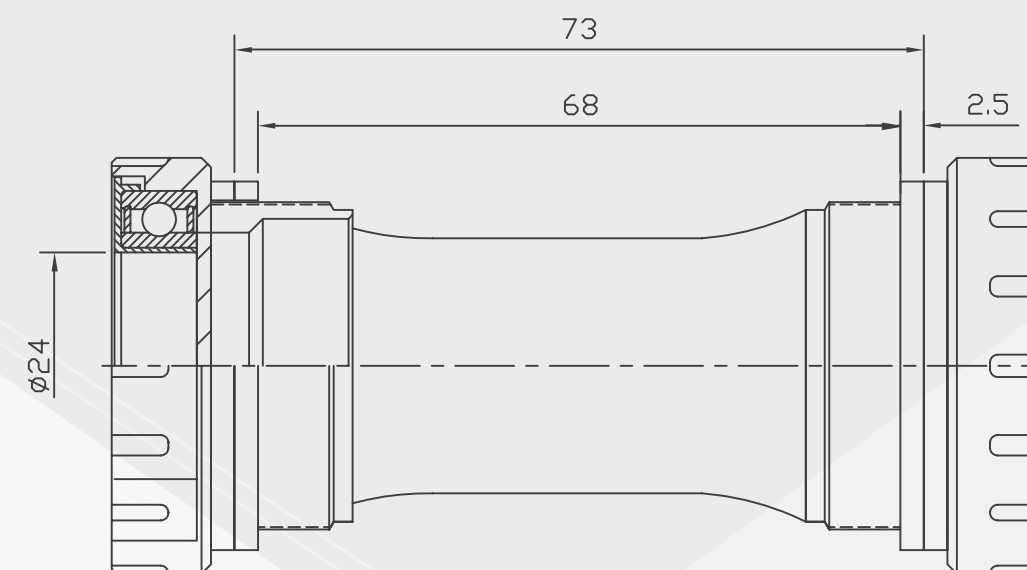


AXLE MODEL 中軸代號	B.B. SHELL WIDTH=68mm 五通管寬度 68mm			BOLT THREAD 螺絲尺寸
	A	B	C	
113.0	22.2	68	22.8	M12xP1

# BB401



MATERIAL	材質	Forged Alloy & CNC Machined External Cups 鋁碗 Plastic Center Sleeve 塑膠中管
SIZE	尺寸	English Threading 牙紋規格(BC 1.37"x24T, R/L) for 68mm & 73mm Width 五通管寬度(68mm&73mm) Oversized Sealed Bearing 密封式軸承 Ø24mm Spindle Ø24軸心
FINISH	表面處理	Anodized Cups 陽極碗
WEIGHT	重量	106g
OPTIONAL	選配	Ceramic Bearing 陶瓷珠軸承
AVAILABLE SYSTEM	適用系統	SHIMANO



# BB501



# BB86 BB90 BB92

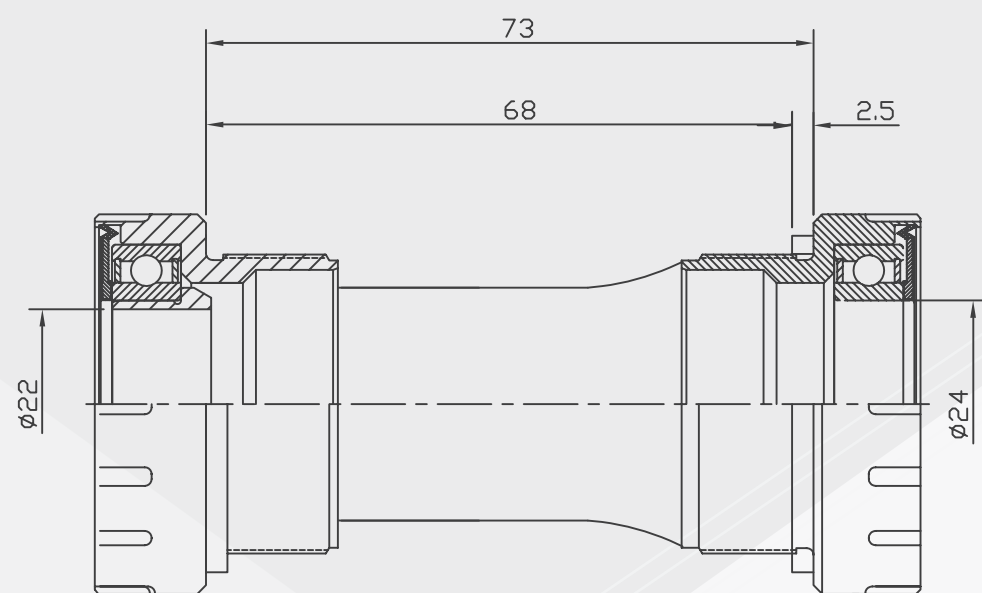


五通碗組  
EXTERNAL CUP B.B./PRESS-FIT B.B

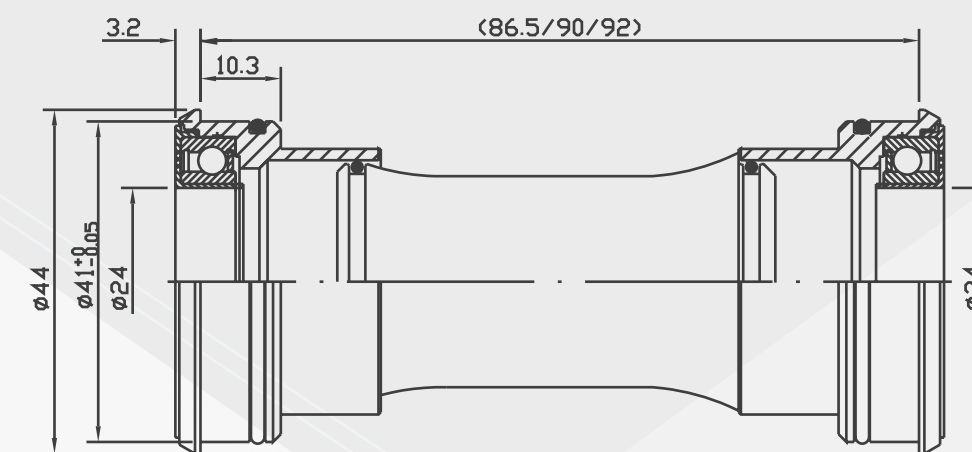
五通碗組  
EXTERNAL CUP B.B./PRESS-FIT B.B

MATERIAL	材質	Forged Alloy & CNC Machined External Cups 鋁碗
		Plastic Center Sleeve 塑膠中管
SIZE	尺寸	English Threading 牙紋規格(BC 1.37"x24T, R/L)
		for 68mm & 73mm Width 五通管寬度(68mm&73mm)
		Oversized Sealed Bearing 密封式軸承
		Spindle OD Left 軸心左端外徑(Crank-Side曲柄側): Ø22mm
		Spindle OD Right 軸心右端外徑(Crainwheel-Side齒盤側): Ø24mm
FINISH	表面處理	Anodized Cups 陽極碗
WEIGHT	重量	116g
AVAILABLE SYSTEM	適用系統	SRAM

PRESS FIT TYPE	壓入式五通碗組	
MATERIAL	材質	Forged Alloy & CNC Machined Press Fit Cups 鋁碗
		Plastic Center Sleeve 塑膠中管
SIZE	尺寸	Ø24mm Spindle OD Ø24mm軸心外徑
Available For	可適用於:	86.5mm Frame B.B Shell Width 86.5mm寬之車架五通管
		90mm Frame B.B Shell Width 90mm寬之車架五通管
		92mm Frame B.B Shell Width 92mm寬之車架五通管
		Press Fit Cups (壓入式碗Ø41mm)
FINISH	表面處理	Anodized Cups 陽極碗
WEIGHT	重量	95g



- B.B Shell Width 五通管寬度 86.5mm, 90mm, 92mm
- B.B Shell ID 五通管直徑 Ø41mm





### B881

B881: BSA 1.37"x24T, R/L  
 MATERIAL 材料 Steel, Set of 5pcs 鐵 x 5pcs  
 COMPONENTS 內容物 Ball Retainers 珠巢 1/4"x9x2pcs  
 FINISH 表面處理 CP, UCP, ED, BK  
 APPLICATIONS 通用車種 Light Weight 輕便車, Mini Cycle 小車



### B882

B882: BSA 1.37"x24T, R/L  
 MATERIAL 材料 Steel, Set of 5pcs 鐵 x 5pcs  
 COMPONENTS 內容物 Ball Retainers 珠巢 1/4"x9x2pcs  
 FINISH 表面處理 CP, UCP, ED, BK  
 APPLICATIONS 通用車種 Light Weight 輕便車, Mini Cycle 小車



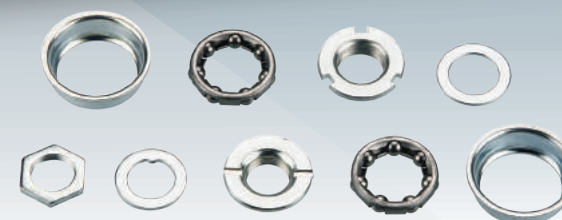
### B886

B886: BSA 1.37"x24T, R/L  
 MATERIAL 材料 Steel, Set of 6pcs 鐵 x 6pcs  
 COMPONENTS 內容物 Ball Retainers 珠巢 1/4"x9x2pcs  
 FINISH 表面處理 CP, UCP, ED, BK  
 APPLICATIONS 通用車種 Comfort(w/Chain Guard) 城市車 (加鏈條保護蓋)



### B887

B887: BSA 1.37"x24T, R/L  
 B887B: Italian 36mmx24T, R/R  
 MATERIAL 材料 Steel, Set of 5pcs 鐵 x 5pcs  
 COMPONENTS 內容物 Ball Retainers 珠巢 1/4"x9x2pcs  
 FINISH 表面處理 CP, UCP, ED, BK  
 APPLICATIONS 通用車種 Light Weight 輕便車, Mini Cycle 小車



### B888

CUP SIZE 碗尺寸 Ø43mm  
 THREAD TYPE 牙紋 Left Cone: 3/4" un24T-LH  
 Right Cone: 13/16" un24T  
 MATERIAL 材料 Steel, Set of 9pcs 鐵 x 9pcs  
 COMPONENTS 內容物 Ball Retainers 珠巢 5/16"x7x2pcs  
 FINISH 表面處理 UCP, BK  
 APPLICATIONS 通用車種 Children Bike 童車



### B889

CUP SIZE 碗尺寸 Ø51.5mm  
 THREAD TYPE 牙紋 Left Cone: 7/8"un 24T-LH  
 Right Cone: 15/16"un 24T  
 MATERIAL 材料 Steel, Set of 9pcs 鐵x9pcs  
 COMPONENTS 內容物 Ball Retainers 珠巢 5/16"x 9 x 2pcs  
 FINISH 表面處理 UCP, BK  
 APPLICATIONS 通用車種 BMX & Freestyle 表演車



### B890

CUP SIZE 碗尺寸 Ø45mm  
 THREAD TYPE 牙紋 Left Cone: 22un 24T-LH  
 Right Cone: 23.2un 32T  
 MATERIAL 材料 Steel, Set of 10pcs 鐵x10pcs  
 COMPONENTS 內容物 Ball Retainers 珠巢 1/4"x 11C x 2pcs  
 FINISH 表面處理 UCP, BK



### B899W

CUP SIZE 碗尺寸 Ø51.5mm  
 THREAD TYPE 牙紋 Left Cone : 7/8"un 24T-LH  
 Right Cone: 15/16"un 24T  
 MATERIAL 材料 Steel(Cups Set Parts/碗及牙塞), SCM430 (AXLE/中軸)  
 Set of 14pcs 鐵x14pcs  
 COMPONENTS 內容物 Ball Retainers 珠巢 5/16"x 12 x 2pcs, Dust Seals  
 FINISH 表面處理 CP (Cups Set Part/碗及牙塞) + BK (AXLE/中軸)  
 APPLICATIONS 通用車種 Heavy BMX 重表演車  
 MTB 登山車



### B890B

CUP SIZE 碗尺寸 Ø45mm  
 THREAD TYPE 牙紋 Left Cone: 22un 24T-LH  
 Right Cone: 23.2un 32T  
 MATERIAL 材料 Steel, Set of 6pcs 鐵x6pcs  
 COMPONENTS 內容物 Sealed Bearing 培林  
 FINISH 表面處理 UCP